

NOTICE!!

These documents have been scanned!

Do not place un-scanned documents beneath this notice!

Do not remove this notice from this file!

GPO Jacket No. 560-102
Print Order 61540
Rise Business Services, LLC
Job=AZ15 5/20/2019

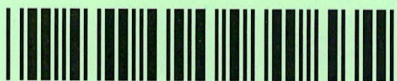


Box Number= AZ15069



Claim Begin-End: AMC398962-AMC398964

1 Initial Receipt



AZ15069-16

AMC397971-AMC398973

United States Department of the Interior
 Bureau of Land Management
 BUSINESS & SUPPORT SVCS DIV
 ONE N CENTRAL AVE SUITE 800
 PHOENIX, AZ 85004 -4427
 Phone: (602) 417-9200

Receipt

No: 2054613

ENTERED INTO COMPUTER

Transaction #: 2120627

Date of Transaction: 12/16/2009

CUSTOMER: CWILLIAMS NICHOLS
 26134 N 93RD AVE
 PEORIA, AZ 85383-1350 US

JAN 06 2010 JB

LINE #	QTY	DESCRIPTION	REMARKS	UNIT PRICE	TOTAL
1	3.00	LOCATABLE MINERALS / MINING CLAIMS- NEW, UNADJUD, ONE OR MORE AUTH NOS / NEW MINING CLAIM PROCESSING FEE \$15 CASES: AMC398962/\$15.00, AMC398963/\$15.00, AMC398964/\$15.00		- n/a -	45.00
2	3.00	LOCATABLE MINERALS / MINING CLAIMS- NEW, UNADJUD, ONE OR MORE AUTH NOS / NEW MINING CLAIM LOCATION FEE \$34 CASES: AMC398962/\$34.00, AMC398963/\$34.00, AMC398964/\$34.00		- n/a -	102.00
3	3.00	LOCATABLE MINERALS / MINING CLAIMS- NEW, UNADJUD, ONE OR MORE AUTH NOS / NEW MINING CLAIM MAINT FEE \$140 CASES: AMC398962/\$140.00, AMC398963/\$140.00, AMC398964/\$140.00		- n/a -	420.00
TOTAL:					\$567.00

PAYMENT INFORMATION

NOTE: Items will appear on credit card statement as "Bureau of Land Mgmt CO".

1	AMOUNT:	567.00	POSTMARKED:	N/A
	TYPE:	CREDIT CARD	RECEIVED:	12/16/2009
	NAME:	NICHOLS, CWILLIAMS 26134 N 93RD AVE PEORIA AZ 85383-1350 US		
	CARD NO:	XXXXXXXXXXXX4003	AUTH CODE:	129987
	NAME ON CARD:	JOSEPH C HULL		
	EXPIRES:	02/2011		
	SIGNATURE:			

REMARKS

This receipt was generated by the automated BLM Collections and Billing System and is a paper representation of a portion of the official electronic record contained therein.

NOTICE!!

These documents have been scanned!

Do not place un-scanned documents beneath this notice!

Do not remove this notice from this file!

GPO Jacket No. 560-102
Print Order 61540
Rise Business Services, LLC
Job=AZ15 5/20/2019



Box Number= AZ15069



Claim Begin-End: AMC398962-AMC398964

2 Correspondence



AZ15069-16

AMC397971-AMC398973

**NO
DOCUMENTS
FOUND**

NO DOCUMENTS FOUND
NO DOCUMENTS FOUND

NOTICE!!

These documents have been scanned!

Do not place un-scanned documents beneath this notice!

Do not remove this notice from this file!

GPO Jacket No. 560-102
Print Order 61540
Rise Business Services, LLC
Job=AZ15 5/20/2019



Box Number= AZ15069



Claim Begin-End: AMC398962-AMC398964

3 Transfers



AZ15069-16 AMC397971-AMC398973

**NO
DOCUMENTS
FOUND**

NO DOCUMENTS FOUND
NO DOCUMENTS FOUND

NOTICE!!

These documents have been scanned!

Do not place un-scanned documents beneath this notice!

Do not remove this notice from this file!

GPO Jacket No. 560-102
Print Order 61540
Rise Business Services, LLC
Job=AZ15 5/20/2019



Box Number= AZ15069



Claim Begin-End: AMC398962-AMC398964

4 Annual Filings



AZ15069-16

AMC397971-AMC398973

**DEPARTMENT OF THE INTERIOR
BUREAU OF LAND MANAGEMENT
MINING CLAIMS**

Run Date/Time: 9/5/2019

**MC Maintenance Fees Paid Through the BLM Pay Portal
(by Date Paid)**

Page 48 Of 521

CBS Receipt: 4543862

Printed For Lead File # AMC398962

Agency Tracking ID: 1566854234

Assessment Year: 2020

Number of BLM Serial Nr: 28

Paid On: 8/26/2019

Total Amount Paid: \$7,755.00

Claim Name	BLM Serial No	Lead File No	Amount Paid
ESTRELLA 1	AMC384793	AMC384793	\$330.00
ESTRELLA 2	AMC384794	AMC384793	\$330.00
ESTRELLA 3	AMC384795	AMC384793	\$330.00
ESTRELLA 4	AMC384796	AMC384793	\$330.00
GILA MOUNTAIN #47	AMC398944	AMC398944	\$330.00
GILA MOUNTAIN #48	AMC398945	AMC398944	\$330.00
GILA MOUNTAIN #49	AMC398946	AMC398944	\$330.00
GILA MOUNTAIN #50	AMC398947	AMC398944	\$330.00
SUNSET #1	AMC398948	AMC398944	\$165.00
SUNSET #2	AMC398949	AMC398944	\$165.00
SUNSET #3	AMC398950	AMC398944	\$165.00
SUNSET #4	AMC398962	AMC398962	\$165.00
SUNSET #5	AMC398963	AMC398962	\$165.00
SUNSET #6	AMC398964	AMC398962	\$165.00
PICACHO #1	AMC403665	AMC403665	\$165.00
PICACHO #2	AMC403666	AMC403665	\$165.00
CORDES PEAK 1	AMC410303	AMC410302	\$330.00
CORDES PEAK 2	AMC410304	AMC410302	\$330.00
CORDES MOUNTAIN 1	AMC439917	AMC439917	\$165.00
RED PICACHO #1	AMC445346	AMC445346	\$330.00
RED PICACHO #2	AMC445347	AMC445346	\$330.00
RED PICACHO #3	AMC445348	AMC445346	\$330.00
RED PICACHO #4	AMC445349	AMC445346	\$330.00
RED PICACHO #5	AMC445350	AMC445346	\$330.00

NO WARRANTY IS MADE BY BLM FOR USE OF THE DATA FOR PURPOSES NOT INTENDED BY BLM

DEPARTMENT OF THE INTERIOR
BUREAU OF LAND MANAGEMENT
MINING CLAIMS

Run Date/Time: 9/5/2019

MC Maintenance Fees Paid Through the BLM Pay Portal
(by Date Paid)

Page 49 Of 521

RED PICACHO #6	AMC445351	AMC445346	\$330.00
RED PICACHO #7	AMC445352	AMC445346	\$330.00
RED PICACHO #8	AMC445353	AMC445346	\$330.00
RED PICACHO #9	AMC445354	AMC445346	\$330.00

United States Department of the Interior
Bureau of Land Management
 BUSINESS & SUPPORT SVCS DIV
 ONE N CENTRAL AVE SUITE 800
 PHOENIX, AZ 85004 -4427
 Phone: 602-417-9200

Receipt	
No:	4543862

Transaction #: 4664851	
Date of Transaction: 08/26/2019	
CUSTOMER:	
MRCILLINE J NICHOLS 26134 N 93RD AVENUE PEORIA, AZ 85383 US	

LINE #	QTY	DESCRIPTION	REMARKS	UNIT PRICE	TOTAL
1	1.00	LOCATABLE MINERALS / MINING CLAIMS- NOT NEW-UNADJUD, ONE AUTH NO. ONLY / MINING CLAIM MONEY RECEIVED CASES: AMC384793/\$7755.00		- n/a -	7755.00
TOTAL:					\$7,755.00

PAYMENT INFORMATION			
NOTE: Items will appear on credit card statement as "BLM O Mining Claim".			
1	AMOUNT:	7755.00	POSTMARKED: N/A
	TYPE:	CREDIT CARD	RECEIVED: 08/26/2019
	NAME:	MRCILLINE J NICHOLS 26134 N 93RD AVENUE PEORIA AZ 85383 US	
	CARD NO:	XXXXXXXXXXXX6365	AUTH CODE: 04353D
	NAME ON CARD:	MRCILLINE J NICHOLS	
	SIGNATURE:	INTERNET	

REMARKS

This receipt was generated by the automated BLM Collections and Billing System and is a paper representation of a portion of the official electronic record contained therein.

UNITED STATES
DEPARTMENT OF THE INTERIOR
BUREAU OF LAND MANAGEMENT
MAINTENANCE FEE PAYMENT FORM
FOR PLACER MINING CLAIMS

445346
410302
396392 384793
396284 ~~396284~~
397074 403058
398944 394491
403665 394051
398962 394513
439917

Remitter Name: C William & Marcelline J Nichols
Mailing Address: 26134 N. 93rd Ave.
City, State, Zip: Peoria, AZ 85383

Check here if this is a change of address.

FOR COUNTY RECORDER'S USE

No. of claims 9
Total due BLM \$ 2790⁰⁰

- The maintenance fee may be paid by cash, check, money order, Bureau of Land Management (BLM) Declining Deposit Account, or credit card (VISA, American Express, Discover, or MasterCard). Payments must be remitted to the BLM State Office where your claim or site is recorded and received on or before September 1. If the payment is mailed, the envelope must be postmarked by a bona fide delivery service on or before September 1 and received at the proper BLM State Office within 15 calendar days after the due date. Payments may also be made by telephone using a credit card. A complete listing of BLM State Offices with their addresses and phone numbers can be found at <http://www.blm.gov>.
- The maintenance fee for the following claim(s) applies to the assessment year 2019

CLAIM NAME	BLM SERIAL NO.	ACRES IN CLAIM	PAYMENT DUE TO THE BLM (See Instructions on Page 2)
Red Piacho #1	AMC 445346	40	310 ⁰⁰
Red Piacho #2	AMC 445347	40	310 ⁰⁰
Red Piacho #3	AMC 445348	40	310 ⁰⁰
Red Piacho #4	AMC 445349	40	310 ⁰⁰
Red Piacho #5	AMC 445350	40	310 ⁰⁰
Red Piacho #6	AMC 445351	40	310 ⁰⁰
Red Piacho #7	AMC 445352	40	310 ⁰⁰
Red Piacho #8	AMC 445353	40	310 ⁰⁰
Red Piacho #9	AMC 445354	40	310 ⁰⁰

RECEIVED
BLM AZ STATE OFFICE
SEP 17 2018
PHOENIX, ARIZONA

Use a separate sheet for additional claim names, serial numbers, and claimant names and addresses.

4260122

ENTERED
SEP 17 2018
BY: RAM

UNITED STATES
DEPARTMENT OF THE INTERIOR
BUREAU OF LAND MANAGEMENT
**MAINTENANCE FEE PAYMENT FORM
FOR PLACER MINING CLAIMS**

Remitter Name: C. William +
Marcelline J. Nichols
Mailing Address: 26134 N. 93rd Ave.
City, State, Zip: Peoria, AZ 85383

Check here if this is a change of address.

FOR COUNTY RECORDER'S USE

No. of claims 10
Total due BLM \$ 3100.00

1. The maintenance fee may be paid by cash, check, money order, Bureau of Land Management (BLM) Declining Deposit Account, or credit card (VISA, American Express, Discover, or MasterCard). Payments must be remitted to the BLM State Office where your claim or site is recorded and received on or before September 1. If the payment is mailed, the envelope must be postmarked by a bona fide delivery service on or before September 1 and received at the proper BLM State Office within 15 calendar days after the due date. Payments may also be made by telephone using a credit card. A complete listing of BLM State Offices with their addresses and phone numbers can be found at <http://www.blm.gov>.

2. The maintenance fee for the following claim(s) applies to the assessment year 2019

CLAIM NAME	BLM SERIAL NO.	ACRES IN CLAIM	PAYMENT DUE TO THE BLM (See Instructions on Page 2)
<u>Cordes Peak #1</u>	<u>AMC 410303</u>	<u>40</u>	<u>310.00</u>
<u>Cordes Peak #2</u>	<u>AMC 410304</u>	<u>40</u>	<u>310.00</u>
<u>Estrella #1</u>	<u>AMC 384793</u>	<u>40</u>	<u>310.00</u>
<u>Estrella #2</u>	<u>AMC 384794</u>	<u>40</u>	<u>310.00</u>
<u>Estrella #3</u>	<u>AMC 384795</u>	<u>40</u>	<u>310.00</u>
<u>Estrella #4</u>	<u>AMC 384796</u>	<u>40</u>	<u>310.00</u>
<u>Hela Mountain #1</u>	<u>AMC 403058</u>	<u>40</u>	<u>310.00</u>
<u>Hela Mountain #2</u>	<u>AMC 403059</u>	<u>40</u>	<u>310.00</u>
<u>Hela Mountain #3</u>	<u>AMC 403060</u>	<u>40</u>	<u>310.00</u>
<u>Hela Mountain #4</u>	<u>AMC 403061</u>	<u>40</u>	<u>310.00</u>

RECEIVED
BLM AZ STATE OFFICE
PHOENIX, ARIZONA
SEP 01 2019

Use a separate sheet for additional claim names, serial numbers, and claimant names and addresses.

UNITED STATES
DEPARTMENT OF THE INTERIOR
BUREAU OF LAND MANAGEMENT
**MAINTENANCE FEE PAYMENT FORM
FOR PLACER MINING CLAIMS**

Remitter Name: C William + Marilline J Nichols
 Mailing Address: 26134 N. 93rd Ave.
 City, State, Zip: Peoria, AZ 85383

Check here if this is a change of address.

FOR COUNTY RECORDER'S USE

No. of claims 10
 Total due BLM \$ 3100⁰⁰

- The maintenance fee may be paid by cash, check, money order, Bureau of Land Management (BLM) Declining Deposit Account, or credit card (VISA, American Express, Discover, or MasterCard). Payments must be remitted to the BLM State Office where your claim or site is recorded and received on or before September 1. If the payment is mailed, the envelope must be postmarked by a bona fide delivery service on or before September 1 and received at the proper BLM State Office within 15 calendar days after the due date. Payments may also be made by telephone using a credit card. A complete listing of BLM State Offices with their addresses and phone numbers can be found at <http://www.blm.gov>.
- The maintenance fee for the following claim(s) applies to the assessment year 2019.

CLAIM NAME	BLM SERIAL NO.	ACRES IN CLAIM	PAYMENT DUE TO THE BLM (See Instructions on Page 2)
<u>Sila Mountain #6</u>	<u>AMC 384797</u>	<u>40</u>	<u>310⁰⁰</u>
<u>Sila Mountain #7</u>	<u>AMC 384798</u>	<u>40</u>	<u>310⁰⁰</u>
<u>Sila Mountain #8</u>	<u>AMC 384799</u>	<u>40</u>	<u>310⁰⁰</u>
<u>Sila Mountain #9</u>	<u>AMC 384800</u>	<u>40</u>	<u>310⁰⁰</u>
<u>Sila Mountain #10</u>	<u>AMC 384801</u>	<u>40</u>	<u>310⁰⁰</u>
<u>Sila Mountain #11</u>	<u>AMC 384802</u>	<u>40</u>	<u>310⁰⁰</u>
<u>Sila Mountain #12</u>	<u>AMC 384803</u>	<u>40</u>	<u>310⁰⁰</u>
<u>Sila Mountain #13</u>	<u>AMC 384804</u>	<u>40</u>	<u>310⁰⁰</u>
<u>Sila Mountain #14</u>	<u>AMC 384805</u>	<u>40</u>	<u>310⁰⁰</u>
<u>Sila Mountain #15</u>	<u>AMC 384806</u>	<u>40</u>	<u>310⁰⁰</u>

PHOENIX, ARIZONA
 RECEIVED
 BLM STATE OFFICE

Use a separate sheet for additional claim names, serial numbers, and claimant names and addresses.

UNITED STATES
DEPARTMENT OF THE INTERIOR
BUREAU OF LAND MANAGEMENT
**MAINTENANCE FEE PAYMENT FORM
FOR PLACER MINING CLAIMS**

Remitter Name: C. William +
Marilline J Nichols

Mailing Address: 26134 N. 93rd Ave.

City, State, Zip: Peoria, AZ 85383

Check here if this is a change of address.

FOR COUNTY RECORDER'S USE

No. of claims 10
Total due BLM \$ 3100⁰⁰

- The maintenance fee may be paid by cash, check, money order, Bureau of Land Management (BLM) Declining Deposit Account, or credit card (VISA, American Express, Discover, or MasterCard). Payments must be remitted to the BLM State Office where your claim or site is recorded and received on or before September 1. If the payment is mailed, the envelope must be postmarked by a bona fide delivery service on or before September 1 and received at the proper BLM State Office within 15 calendar days after the due date. Payments may also be made by telephone using a credit card. A complete listing of BLM State Offices with their addresses and phone numbers can be found at <http://www.blm.gov>.
- The maintenance fee for the following claim(s) applies to the assessment year 2019.

CLAIM NAME	BLM SERIAL NO.	ACRES IN CLAIM	PAYMENT DUE TO THE BLM (See Instructions on Page 2)
<u>Hila Mountain #6</u>	<u>AMC 384807</u>	<u>40</u>	<u>310⁰⁰</u>
<u>Hila Mountain #7</u>	<u>AMC 384808</u>	<u>40</u>	PHOENIX, ARIZONA RECEIVED BY [Signature]
<u>Hila Mountain #18</u>	<u>AMC 394491</u>	<u>40</u>	
<u>Hila Mountain #19</u>	<u>AMC 394492</u>	<u>40</u>	
<u>Hila Mountain #20</u>	<u>AMC 394493</u>	<u>40</u>	
<u>Hila Mountain #21</u>	<u>AMC 394494</u>	<u>40</u>	
<u>Hila Mountain #22</u>	<u>AMC 394495</u>	<u>40</u>	
<u>Hila Mountain #23</u>	<u>AMC 394496</u>	<u>40</u>	
<u>Hila Mountain #24</u>	<u>AMC 394497</u>	<u>40</u>	
<u>Hila Mountain #25</u>	<u>AMC 394498</u>	<u>40</u>	

Use a separate sheet for additional claim names, serial numbers, and claimant names and addresses.

UNITED STATES
DEPARTMENT OF THE INTERIOR
BUREAU OF LAND MANAGEMENT
**MAINTENANCE FEE PAYMENT FORM
FOR PLACER MINING CLAIMS**

Remitter Name: William & Masulline J. Nichols
 Mailing Address: 26134 N. 93rd Ave.
 City, State, Zip: Peoria, AZ 85383

Check here if this is a change of address.

FOR COUNTY RECORDER'S USE

No. of claims 10
 Total due BLM \$ 3100⁰⁰

1. The maintenance fee may be paid by cash, check, money order, Bureau of Land Management (BLM) Declining Deposit Account, or credit card (VISA, American Express, Discover, or MasterCard). Payments must be remitted to the BLM State Office where your claim or site is recorded and received on or before September 1. If the payment is mailed, the envelope must be postmarked by a bona fide delivery service on or before September 1 and received at the proper BLM State Office within 15 calendar days after the due date. Payments may also be made by telephone using a credit card. A complete listing of BLM State Offices with their addresses and phone numbers can be found at <http://www.blm.gov>.

2. The maintenance fee for the following claim(s) applies to the assessment year 2018.

CLAIM NAME	BLM SERIAL NO.	ACRES IN CLAIM	PAYMENT DUE TO THE BLM (See Instructions on Page 2)
Sila Mountain #26	AMC 394499	40	310 ⁰⁰
Sila Mountain #27	AMC 394500	40	310 ⁰⁰
Sila Mountain #28	AMC 394501	40	310 ⁰⁰
Sila Mountain #29	AMC 394502	40	310 ⁰⁰
Sila Mountain #30	AMC 394503	40	310 ⁰⁰
Sila Mountain #31	AMC 394504	40	310 ⁰⁰
Sila Mountain #32	AMC 394505	40	310 ⁰⁰
Sila Mountain #33	AMC 394506	40	310 ⁰⁰
Sila Mountain #34	AMC 394507	40	310 ⁰⁰
Sila Mountain #35	AMC 394508	40	310 ⁰⁰

RECEIVED
BLM STATE OFFICE
PHOENIX, ARIZONA
SEP 01 2018

Use a separate sheet for additional claim names, serial numbers, and claimant names and addresses.

UNITED STATES
DEPARTMENT OF THE INTERIOR
BUREAU OF LAND MANAGEMENT
**MAINTENANCE FEE PAYMENT FORM
FOR PLACER MINING CLAIMS**

Remitter Name: C. William & Marcelline J. Nichols
 Mailing Address: 26134 N. 93rd Ave.
 City, State, Zip: Peoria, AZ 85383

Check here if this is a change of address.

FOR COUNTY RECORDER'S USE

No. of claims 10
 Total due BLM \$ 3100⁰⁰

- The maintenance fee may be paid by cash, check, money order, Bureau of Land Management (BLM) Declining Deposit Account, or credit card (VISA, American Express, Discover, or MasterCard). Payments must be remitted to the BLM State Office where your claim or site is recorded and received on or before September 1. If the payment is mailed, the envelope must be postmarked by a bona fide delivery service on or before September 1 and received at the proper BLM State Office within 15 calendar days after the due date. Payments may also be made by telephone using a credit card. A complete listing of BLM State Offices with their addresses and phone numbers can be found at <http://www.blm.gov>.
- The maintenance fee for the following claim(s) applies to the assessment year 2019.

CLAIM NAME	BLM SERIAL NO.	ACRES IN CLAIM	PAYMENT DUE TO THE BLM (See Instructions on Page 2)
<u>Hila Mountain #36</u>	<u>AMC 394509</u>	<u>40</u>	<u>310⁰⁰</u>
<u>Hila Mountain #37</u>	<u>AMC 394510</u>	<u>40</u>	<u>310⁰⁰</u>
<u>Hila Mountain #38</u>	<u>AMC 394511</u>	<u>40</u>	<u>310⁰⁰</u>
<u>Hila Mountain #39</u>	<u>AMC 394512</u>	<u>40</u>	<u>310⁰⁰</u>
<u>Hila Mountain #40</u>	<u>AMC 394051</u>	<u>40</u>	<u>310⁰⁰</u>
<u>Hila Mountain #41</u>	<u>AMC 396284</u>	<u>40</u>	<u>310⁰⁰</u>
<u>Hila Mountain #42</u>	<u>AMC 396284</u>	<u>40</u>	<u>310⁰⁰</u>
<u>Hila Mountain #43</u>	<u>AMC 396285</u>	<u>40</u>	<u>310⁰⁰</u>
<u>Hila Mountain #44</u>	<u>AMC 397074</u>	<u>40</u>	<u>310⁰⁰</u>
<u>Hila Mountain #45</u>	<u>AMC 397075</u>	<u>40</u>	<u>310⁰⁰</u>

RECEIVED
 BLM AZ STATE OFFICE
 PHOENIX, ARIZONA
 2019 SEP 21

Use a separate sheet for additional claim names, serial numbers, and claimant names and addresses.

UNITED STATES
DEPARTMENT OF THE INTERIOR
BUREAU OF LAND MANAGEMENT
**MAINTENANCE FEE PAYMENT FORM
FOR PLACER MINING CLAIMS**

Remitter Name: C. William + Marjuline J. Nichols
 Mailing Address: 26134 N. 93rd Ave
 City, State, Zip: Peoria, AZ 85383

Check here if this is a change of address.

FOR COUNTY RECORDER'S USE

No. of claims 5
 Total due BLM \$ 1550⁰⁰

- The maintenance fee may be paid by cash, check, money order, Bureau of Land Management (BLM) Declining Deposit Account, or credit card (VISA, American Express, Discover, or MasterCard). Payments must be remitted to the BLM State Office where your claim or site is recorded and received on or before September 1. If the payment is mailed, the envelope must be postmarked by a bona fide delivery service on or before September 1 and received at the proper BLM State Office within 15 calendar days after the due date. Payments may also be made by telephone using a credit card. A complete listing of BLM State Offices with their addresses and phone numbers can be found at <http://www.blm.gov>.
- The maintenance fee for the following claim(s) applies to the assessment year 2019.

CLAIM NAME	BLM SERIAL NO.	ACRES IN CLAIM	PAYMENT DUE TO THE BLM (See Instructions on Page 2)
<u>Hila Mountain #46</u>	<u>AMC 397076</u>	<u>40</u>	<u>310⁰⁰</u>
<u>Hila Mountain #47</u>	<u>AMC 398944</u>	<u>40</u>	<u>310⁰⁰</u>
<u>Hila Mountain #48</u>	<u>AMC 398945</u>	<u>40</u>	<u>310⁰⁰</u>
<u>Hila Mountain #49</u>	<u>AMC 398946</u>	<u>40</u>	<u>310⁰⁰</u>
<u>Hila Mountain #50</u>	<u>AMC 398947</u>	<u>40</u>	<u>310⁰¹</u>

RECEIVED
BLM AZ STATE OFFICE
2019 SEP - 5 P 2:20
PHOENIX, ARIZONA

Use a separate sheet for additional claim names, serial numbers, and claimant names and addresses.

UNITED STATES
DEPARTMENT OF THE INTERIOR
BUREAU OF LAND MANAGEMENT
**MAINTENANCE FEE PAYMENT FORM FOR
LODE CLAIMS, MILL SITES, AND TUNNEL SITES**

Remitter Name: C. William +
Marcelline J. Nichols
Mailing Address: 26134 N. 93rd Ave.
City, State, Zip: Peoria, AZ 85383

Check here if this is a change of address.

FOR COUNTY RECORDER'S USE

No. of claims/sites 10
x \$155 per claim/site
Total due BLM \$ 1550⁰⁰

- The maintenance fee may be paid by cash, check, money order, Bureau of Land Management (BLM) Declining Deposit Account, or credit card (VISA, American Express, Discover, or MasterCard). Payments must be remitted to the BLM State Office where your claim or site is recorded and received on or before September 1. If the payment is mailed, the envelope must be postmarked by a bona fide delivery service on or before September 1 and received at the proper BLM State Office within 15 calendar days after the due date. Payments may also be made by telephone using a credit card. A complete listing of BLM State Offices with their addresses and phone numbers can be found at <http://www.blm.gov>.
- The maintenance fee for the following claim(s)/site(s) applies to the assessment year 2019.

CLAIM/SITE NAME	BLM SERIAL NO.
<u>Peacho #1</u>	<u>AMC 398965</u>
<u>Peacho #2</u>	<u>AMC 398966</u>
<u>Hila Mountain #1</u>	<u>AMC 398967</u>
<u>Sunset #1</u>	<u>AMC 398948</u>
<u>Sunset #2</u>	<u>AMC 398949</u>
<u>Sunset #3</u>	<u>AMC 398950</u>
<u>Sunset #4</u>	<u>AMC 398962</u>
<u>Sunset #5</u>	<u>AMC 398963</u>
<u>Sunset #6</u>	<u>AMC 398964</u>
<u>Sunset #7</u>	<u>AMC 398951</u>

Use a separate sheet for additional claim/site names, serial numbers, and claimant names and addresses.

UNITED STATES
DEPARTMENT OF THE INTERIOR
BUREAU OF LAND MANAGEMENT
**MAINTENANCE FEE PAYMENT FORM FOR
LODE CLAIMS, MILL SITES, AND TUNNEL SITES**

Remitter Name: C. William +
Marcelline J Nichols

Mailing Address: 26134 N. 93rd Ave.

City, State, Zip: Pecora, AZ 85383

Check here if this is a change of address.

FOR COUNTY RECORDER'S USE

No. of claims/sites 5
x \$155 per claim/site
Total due BLM \$ 775⁰⁰

1. The maintenance fee may be paid by cash, check, money order, Bureau of Land Management (BLM) Declining Deposit Account, or credit card (VISA, American Express, Discover, or MasterCard). Payments must be remitted to the BLM State Office where your claim or site is recorded and received on or before September 1. If the payment is mailed, the envelope must be postmarked by a bona fide delivery service on or before September 1 and received at the proper BLM State Office within 15 calendar days after the due date. Payments may also be made by telephone using a credit card. A complete listing of BLM State Offices with their addresses and phone numbers can be found at <http://www.blm.gov>.

2. The maintenance fee for the following claim(s)/site(s) applies to the assessment year 2019.

CLAIM/SITE NAME	BLM SERIAL NO.
<u>Sunset #8</u>	<u>AMC 398952</u>
<u>Sunset #9</u>	<u>AMC 398953</u>
<u>Sunset #10</u>	<u>AMC 398954</u>
<u>Sunset #11</u>	<u>AMC 398955</u>
<u>Cordes Mountain #1</u>	<u>AMC 439917</u>

RECEIVED
 BLM AZ STATE OFFICE
 2018 SEP - 5 P 2:21
 PHOENIX, ARIZONA

Use a separate sheet for additional claim/site names, serial numbers, and claimant names and addresses.

REGISTERED MAIL



7018 0360 0002 2041 7951

C William & Marcelline Nichols
26134 N 93rd Ave
Peoria AZ 85383-1350



1000



85004

U.S. POSTAGE PAID
FCM LG ENV
GLENDALE, AZ
85308
AUG 31, 18
AMOUNT

\$7.62

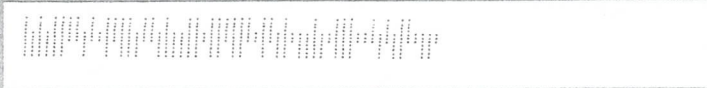
R2304N116924-1

RETURN RECEIPT
REQUESTED

RETURN RECEIPT
REQUESTED

Bureau of Land Management
One North Central Ave. Ste 800
Phoenix, AZ 85004-4427

RECEIVED
BLM AZ STATE OFFICE
2018 SEP -5 P 2:20
PHOENIX, ARIZONA



United States Department of the Interior
Bureau of Land Management
 DIV OF LANDS, MINRLS & ENERGY
 ONE N CENTRAL AVE
 PHOENIX, AZ 85004 -4427
 Phone: 602-417-9200

Receipt

No: 4260122

Transaction #: 4375733	
Date of Transaction: 09/11/2018	
CUSTOMER:	
CHARLES WILLIAM NICHOLS 26134 N 93RD AVE PEORIA, AZ 85383-1350 US	

LINE #	QTY	DESCRIPTION	REMARKS	UNIT PRICE	TOTAL
1	1.00	LOCATABLE MINERALS / MINING CLAIMS-NOT NEW-UNADJUD, ONE AUTH NO. ONLY / MINING CLAIM MONEY RECEIVED CASES: AMC445346/\$22165.00	MAINT 2019/143	- n/a -	22165.00
TOTAL:					\$22,165.00

PAYMENT INFORMATION					
1	AMOUNT:	22165.00	POSTMARKED:	N/A	
	TYPE:	CHECK	RECEIVED:	09/05/2018	
	CHECK NO:	221			
	NAME:	NICHOLS, CHARLES WILLIAM 26134 N 93RD AVE PEORIA AZ 85383-1350 US			

REMARKS

This receipt was generated by the automated BLM Collections and Billing System and is a paper representation of a portion of the official electronic record contained therein.

UNITED STATES
DEPARTMENT OF THE INTERIOR
BUREAU OF LAND MANAGEMENT
**MAINTENANCE FEE PAYMENT FORM
FOR PLACER MINING CLAIMS**

12

Remitter Name: C William + Marilline J Nichols
 Mailing Address: 26134 N. 93rd Ave.
 City, State, Zip: Peoria, AZ 85383

Check here if this is a change of address.

AMC 384793	AMC 397074
394051	398944
394491	398962
394513	403058
396284	403665
396392	410302

FOR COUNTY RECORDER'S USE

No. of claims 10
 Total due BLM \$ 3100.00

- The maintenance fee may be paid by cash, check, money order, Bureau of Land Management (BLM) Declining Deposit Account, or credit card (VISA, American Express, Discover, or MasterCard). Payments must be remitted to the BLM State Office where your claim or site is recorded and received on or before September 1. If the payment is mailed, the envelope must be postmarked by a bona fide delivery service on or before September 1 and received at the proper BLM State Office within 15 calendar days after the due date. Payments may also be made by telephone using a credit card. A complete listing of BLM State Offices with their addresses and phone numbers can be found at <http://www.blm.gov>.
- The maintenance fee for the following claim(s) applies to the assessment year 2017.

CLAIM NAME	BLM SERIAL NO.	ACRES IN CLAIM	PAYMENT DUE TO THE BLM (See Instructions on Page 2)
Sila Mountain #6	AMC 384797	40	310.00
Sila Mountain #7	AMC 384798	40	310.00
Sila Mountain #8	AMC 384799	40	310.00
Sila Mountain #9	AMC 384800	40	310.00
Sila Mountain #10	AMC 384801	40	310.00
Sila Mountain #11	AMC 384802	40	310.00
Sila Mountain #12	AMC 384803	40	310.00
Sila Mountain #13	AMC 384804	40	310.00
Sila Mountain #14	AMC 384805	40	310.00
Sila Mountain #15	AMC 384806	40	310.00

Use a separate sheet for additional claim names, serial numbers, and claimant names and addresses.

ENTERED INTO COMPUTER
9/1/16 To

RECEIVED
BLM AZ STATE OFFICE
2016 AUG 31 4:18 PM

(Continued on page 2)

UNITED STATES
DEPARTMENT OF THE INTERIOR
BUREAU OF LAND MANAGEMENT
**MAINTENANCE FEE PAYMENT FORM
FOR PLACER MINING CLAIMS**

Remitter Name: C. William +
Marshall J Nichols
Mailing Address: 26134 N. 93rd Ave.
City, State, Zip: Peoria, AZ 85383
 Check here if this is a change of address.

FOR COUNTY RECORDER'S USE

No. of claims 10
Total due BLM \$ 3100.00

- The maintenance fee may be paid by cash, check, money order, Bureau of Land Management (BLM) Declining Deposit Account, or credit card (VISA, American Express, Discover, or MasterCard). Payments must be remitted to the BLM State Office where your claim or site is recorded and received on or before September 1. If the payment is mailed, the envelope must be postmarked by a bona fide delivery service on or before September 1 and received at the proper BLM State Office within 15 calendar days after the due date. Payments may also be made by telephone using a credit card. A complete listing of BLM State Offices with their addresses and phone numbers can be found at <http://www.blm.gov>.
- The maintenance fee for the following claim(s) applies to the assessment year 2017.

CLAIM NAME	BLM SERIAL NO.	ACRES IN CLAIM	PAYMENT DUE TO THE BLM (See Instructions on Page 2)
<u>Sila Mountain #6</u>	<u>AMC 384807</u>	<u>40</u>	<u>310.00</u>
<u>Sila Mountain #11</u>	<u>AMC 384808</u>	<u>40</u>	<u>310.00</u>
<u>Sila Mountain #18</u>	<u>AMC 394491</u>	<u>40</u>	<u>310.00</u>
<u>Sila Mountain #19</u>	<u>AMC 394492</u>	<u>40</u>	<u>310.00</u>
<u>Sila Mountain #20</u>	<u>AMC 394493</u>	<u>40</u>	<u>310.00</u>
<u>Sila Mountain #21</u>	<u>AMC 394494</u>	<u>40</u>	<u>310.00</u>
<u>Sila Mountain #22</u>	<u>AMC 394495</u>	<u>40</u>	<u>310.00</u>
<u>Sila Mountain #23</u>	<u>AMC 394496</u>	<u>40</u>	<u>310.00</u>
<u>Sila Mountain #24</u>	<u>AMC 394497</u>	<u>40</u>	<u>310.00</u>
<u>Sila Mountain #25</u>	<u>AMC 394498</u>	<u>40</u>	<u>310.00</u>

Use a separate sheet for additional claim names, serial numbers, and claimant names and addresses.

RECEIVED
BLM AZ STATE OFFICE
2016 AUG 31 A 9 18
PHOENIX, ARIZONA

UNITED STATES
DEPARTMENT OF THE INTERIOR
BUREAU OF LAND MANAGEMENT
**MAINTENANCE FEE PAYMENT FORM
FOR PLACER MINING CLAIMS**

Remitter Name: D. William & Marcelline J. Nichols

Mailing Address: 26134 N. 93rd Ave.

City, State, Zip: Peoria, AZ 85383

Check here if this is a change of address.

FOR COUNTY RECORDER'S USE

No. of claims 10
Total due BLM \$ 3100.00

- The maintenance fee may be paid by cash, check, money order, Bureau of Land Management (BLM) Declining Deposit Account, or credit card (VISA, American Express, Discover, or MasterCard). Payments must be remitted to the BLM State Office where your claim or site is recorded and received on or before September 1. If the payment is mailed, the envelope must be postmarked by a bona fide delivery service on or before September 1 and received at the proper BLM State Office within 15 calendar days after the due date. Payments may also be made by telephone using a credit card. A complete listing of BLM State Offices with their addresses and phone numbers can be found at <http://www.blm.gov>.
- The maintenance fee for the following claim(s) applies to the assessment year 2017.

CLAIM NAME	BLM SERIAL NO.	ACRES IN CLAIM	PAYMENT DUE TO THE BLM (See Instructions on Page 2)
Sila Mountain #26	AMC 394499	40	310.00
Sila Mountain #27	AMC 394500	40	310.00
Sila Mountain #28	AMC 394501	40	310.00
Sila Mountain #29	AMC 394502	40	310.00
Sila Mountain #30	AMC 394503	40	310.00
Sila Mountain #31	AMC 394504	40	310.00
Sila Mountain #32	AMC 394505	40	310.00
Sila Mountain #33	AMC 394506	40	310.00
Sila Mountain #34	AMC 394507	40	310.00
Sila Mountain #35	AMC 394508	40	310.00

Use a separate sheet for additional claim names, serial numbers, and claimant names and addresses.

RECEIVED
BLM AZ STATE OFFICE
PHOENIX, ARIZONA
AUG 31 9 18 AM '17

UNITED STATES
DEPARTMENT OF THE INTERIOR
BUREAU OF LAND MANAGEMENT
**MAINTENANCE FEE PAYMENT FORM
FOR PLACER MINING CLAIMS**

Remitter Name: C. William & Marcelline J. Nichols

Mailing Address: 26134 N. 93rd Ave.

City, State, Zip: Peoria, AZ 85383

Check here if this is a change of address.

FOR COUNTY RECORDER'S USE

No. of claims 10
Total due BLM \$ 3100.00

- The maintenance fee may be paid by cash, check, money order, Bureau of Land Management (BLM) Declining Deposit Account, or credit card (VISA, American Express, Discover, or MasterCard). Payments must be remitted to the BLM State Office where your claim or site is recorded and received on or before September 1. If the payment is mailed, the envelope must be postmarked by a bona fide delivery service on or before September 1 and received at the proper BLM State Office within 15 calendar days after the due date. Payments may also be made by telephone using a credit card. A complete listing of BLM State Offices with their addresses and phone numbers can be found at <http://www.blm.gov>.
- The maintenance fee for the following claim(s) applies to the assessment year 2017.

CLAIM NAME	BLM SERIAL NO.	ACRES IN CLAIM	PAYMENT DUE TO THE BLM (See Instructions on Page 2)
Sila Mountain #36	AMC 394509	40	310.00
Sila Mountain #37	AMC 394509	10 40	310.00
Sila Mountain #38	AMC 394511	40	310.00
Sila Mountain #39	AMC 394512	40	310.00
Sila Mountain #40	AMC 394051	40	310.00
Sila Mountain #41	AMC 934513	40	310.00
Sila Mountain #42	AMC 296284	40	310.00
Sila Mountain #43	AMC 396285	40	310.00
Sila Mountain #44	AMC 397074	40	310.00
Sila Mountain #45	AMC 397075	40	310.00

394510
394513

Use a separate sheet for additional claim names, serial numbers, and claimant names and addresses.

RECEIVED
BLM AZ STATE OFFICE
PHOENIX, ARIZONA
AUG 31 10 19 2017

UNITED STATES
DEPARTMENT OF THE INTERIOR
BUREAU OF LAND MANAGEMENT
**MAINTENANCE FEE PAYMENT FORM
FOR PLACER MINING CLAIMS**

Remitter Name: C William + Marulline J Nichols
 Mailing Address: 26134 N. 93rd Ave
 City, State, Zip: Peoria, AZ 85383

Check here if this is a change of address.

FOR COUNTY RECORDER'S USE

No. of claims 5
 Total due BLM \$ 1550.00

- The maintenance fee may be paid by cash, check, money order, Bureau of Land Management (BLM) Declining Deposit Account, or credit card (VISA, American Express, Discover, or MasterCard). Payments must be remitted to the BLM State Office where your claim or site is recorded and received on or before September 1. If the payment is mailed, the envelope must be postmarked by a bona fide delivery service on or before September 1 and received at the proper BLM State Office within 15 calendar days after the due date. Payments may also be made by telephone using a credit card. A complete listing of BLM State Offices with their addresses and phone numbers can be found at <http://www.blm.gov>.
- The maintenance fee for the following claim(s) applies to the assessment year 2017.

CLAIM NAME	BLM SERIAL NO.	ACRES IN CLAIM	PAYMENT DUE TO THE BLM (See Instructions on Page 2)
<u>Sila Mountain #46</u>	<u>AMC 397076</u>	<u>40</u>	<u>310.00</u>
<u>Sila Mountain #47</u>	<u>AMC 398944</u>	<u>40</u>	<u>310.00</u>
<u>Sila Mountain #48</u>	<u>AMC 398945</u>	<u>40</u>	<u>310.00</u>
<u>Sila Mountain #49</u>	<u>AMC 398946</u>	<u>40</u>	<u>310.00</u>
<u>Sila Mountain #50</u>	<u>AMC 398947</u>	<u>40</u>	<u>310.00</u>

RECEIVED
BLM AZ STATE OFFICE
2018 AUG 31 A 9:19
PHOENIX, ARIZONA

Use a separate sheet for additional claim names, serial numbers, and claimant names and addresses

UNITED STATES
DEPARTMENT OF THE INTERIOR
BUREAU OF LAND MANAGEMENT
**MAINTENANCE FEE PAYMENT FORM
FOR PLACER MINING CLAIMS**

Remitter Name: C. William +
Marcelline J Nichols

Mailing Address: 26134 N. 93rd Ave.

City, State, Zip: Peoria, AZ 85383

Check here if this is a change of address.

FOR COUNTY RECORDER'S USE

No. of claims 10
Total due BLM \$ 3100.00

- The maintenance fee may be paid by cash, check, money order, Bureau of Land Management (BLM) Declining Deposit Account, or credit card (VISA, American Express, Discover, or MasterCard). Payments must be remitted to the BLM State Office where your claim or site is recorded and received on or before September 1. If the payment is mailed, the envelope must be postmarked by a bona fide delivery service on or before September 1 and received at the proper BLM State Office within 15 calendar days after the due date. Payments may also be made by telephone using a credit card. A complete listing of BLM State Offices with their addresses and phone numbers can be found at <http://www.blm.gov>.
- The maintenance fee for the following claim(s) applies to the assessment year 2017.

CLAIM NAME	BLM SERIAL NO.	ACRES IN CLAIM	PAYMENT DUE TO THE BLM (See Instructions on Page 2)
<u>Cordes Peak #1</u>	<u>AMC 410303</u>	<u>40</u>	<u>310.00</u>
<u>Cordes Peak #2</u>	<u>AMC 410304</u>	<u>40</u>	<u>310.00</u>
<u>Estrella #1</u>	<u>AMC 384793</u>	<u>40</u>	<u>310.00</u>
<u>Estrella #2</u>	<u>AMC 384794</u>	<u>40</u>	<u>310.00</u>
<u>Estrella #3</u>	<u>AMC 384795</u>	<u>40</u>	<u>310.00</u>
<u>Estrella #4</u>	<u>AMC 384796</u>	<u>40</u>	<u>310.00</u>
<u>Sila Mountain #1</u>	<u>AMC 403058</u>	<u>40</u>	<u>310.00</u>
<u>Sila Mountain #2</u>	<u>AMC 403059</u>	<u>40</u>	<u>310.00</u>
<u>Sila Mountain #3</u>	<u>AMC 403060</u>	<u>40</u>	<u>310.00</u>
<u>Sila Mountain #4</u>	<u>AMC 403061</u>	<u>40</u>	<u>310.00</u>

Use a separate sheet for additional claim names, serial numbers, and claimant names and addresses.

RECEIVED
BLM AZ STATE OFFICE
2018 AUG 31 10 49 AM
PHOENIX, ARIZONA

UNITED STATES
DEPARTMENT OF THE INTERIOR
BUREAU OF LAND MANAGEMENT
**MAINTENANCE FEE PAYMENT FORM FOR
LODE CLAIMS, MILL SITES, AND TUNNEL SITES**

Remitter Name: C. William +
Marcelline J. Nichols
Mailing Address: 26134 N. 93rd Ave.
City, State, Zip: Peoria, AZ 85383

Check here if this is a change of address.

FOR COUNTY RECORDER'S USE

No. of claims/sites 10
x \$155 per claim/site
Total due BLM \$ 1550⁰⁰

- The maintenance fee may be paid by cash, check, money order, Bureau of Land Management (BLM) Declining Deposit Account, or credit card (VISA, American Express, Discover, or MasterCard). Payments must be remitted to the BLM State Office where your claim or site is recorded and received on or before September 1. If the payment is mailed, the envelope must be postmarked by a bona fide delivery service on or before September 1 and received at the proper BLM State Office within 15 calendar days after the due date. Payments may also be made by telephone using a credit card. A complete listing of BLM State Offices with their addresses and phone numbers can be found at <http://www.blm.gov>.
- The maintenance fee for the following claim(s)/site(s) applies to the assessment year 2017.

CLAIM/SITE NAME	BLM SERIAL NO.
Picacho #1	AMC 403665
Picacho #2	AMC 403666
Hila Mountain #1	AMC 396392
Sunset #1	AMC 398948
Sunset #2	AMC 398949
Sunset #3	AMC 398950
Sunset #4	AMC 398962
Sunset #5	AMC 398963
Sunset #6	AMC 398964
Sunset #7	AMC 398951

2016 AUG 31 9:18

Use a separate sheet for additional claim/site names, serial numbers, and claimant names and addresses.

RECEIVED
BLM AZ STATE OFFICE

UNITED STATES
DEPARTMENT OF THE INTERIOR
BUREAU OF LAND MANAGEMENT
MAINTENANCE FEE PAYMENT FORM FOR
LODE CLAIMS, MILL SITES, AND TUNNEL SITES

Remitter Name: C. William +
Marallie J Nichols
Mailing Address: 26134 N. 93rd Ave.
City, State, Zip: Peoria, AZ 85383

384793 397074
394051 398944
394491 398962
394513 403058
396284 403665
396392 410302

Check here if this is a change of address.

FOR COUNTY RECORDER'S USE

No. of claims/sites 5
x \$155 per claim/site
Total due BLM \$ 775⁰⁰

- The maintenance fee may be paid by cash, check, money order, Bureau of Land Management (BLM) Declining Deposit Account, or credit card (VISA, American Express, Discover, or MasterCard). Payments must be remitted to the BLM State Office where your claim or site is recorded and received on or before September 1. If the payment is mailed, the envelope must be postmarked by a bona fide delivery service on or before September 1 and received at the proper BLM State Office within 15 calendar days after the due date. Payments may also be made by telephone using a credit card. A complete listing of BLM State Offices with their addresses and phone numbers can be found at <http://www.blm.gov>.
- The maintenance fee for the following claim(s)/site(s) applies to the assessment year 2017.

CLAIM/SITE NAME	BLM SERIAL NO.
<u>Sunset #8</u>	<u>AMC 398952</u>
<u>Sunset #9</u>	<u>AMC 398953</u>
<u>Sunset #10</u>	<u>AMC 398954</u>
<u>Sunset #11</u>	<u>AMC 398955</u>
<u>Cordes Mountain #1</u>	<u>AMC 410302</u>

RECEIVED
BLM AZ STATE OFFICE
PHOENIX, ARIZONA
2016 AUG 31 A 9:18

INSUFFICIENT
FUNDS
short by \$18⁰⁰

Use a separate sheet for additional claim/site names, serial numbers, and claimant names and addresses.

PER Recd. 3647614

United States Department of the Interior
Bureau of Land Management
 DIV OF LANDS, MINRLS & ENERGY
 ONE N CENTRAL AVE
 PHOENIX, AZ 85004 -4427
 Phone: 602-417-9200

Receipt

No: 3647614

Transaction #: 3751602		ENTERED INTO COMPUTER
Date of Transaction: 08/31/2016		
CUSTOMER: <i>9/1/16 IO</i>		
CWILLIAMS NICHOLS 26134 N 93RD AVE PEORIA, AZ 85383-1350 US		

LINE #	QTY	DESCRIPTION	REMARKS	UNIT PRICE	TOTAL
1	1.00	LOCATABLE MINERALS / MINING CLAIMS- NOT NEW-UNADJUD, ONE AUTH NO. ONLY / MINING CLAIM MONEY RECEIVED CASES: AMC398952/\$19357.00	2017 MAINT/70	- n/a -	19357.00
TOTAL:					\$19,357.00

PAYMENT INFORMATION			
1	AMOUNT:	19357.00	POSTMARKED: N/A
	TYPE:	CHECK	RECEIVED: 08/31/2016
	CHECK NO:	191	
	NAME:	NICHOLS, CWILLIAMS 26134 N 93RD AVE PEORIA AZ 85383-1350 US	

REMARKS
<i>\$19375 should have been submitted. Short \$1800 for AMC 410302. Refund 13100 after closure is sent</i>

This receipt was generated by the automated BLM Collections and Billing System and is a paper representation of a portion of the official electronic record contained therein.

ENTERED
SEP - 1 2016
 BY: *[Signature]*

DEPARTMENT OF THE INTERIOR
 BUREAU OF LAND MANAGEMENT
**MAINTENANCE FEE PAYMENT FORM FOR
 LOSE CLAIMS, MILL SITES, AND TUNNEL SITES**

396392
 403665
 398944
 398962

Remitter Name: C. William +
 Marcelline J. Nichols
 Mailing Address: 26134 N. 93rd Ave.
 City, State, Zip: Peoria, AZ 85383

Check here if this is a change of address.

FOR COUNTY RECORDER'S USE

No. of claims/sites 10
 x \$155 per claim/site
 Total due BLM \$ 1550.00

- The maintenance fee may be paid by cash, check, money order, Bureau of Land Management (BLM) Declining Deposit Account, or credit card (VISA, American Express, Discover, or MasterCard). Payments must be remitted to the BLM State Office where your claim or site is recorded and received on or before September 1. If the payment is mailed, the envelope must be postmarked by a bona fide delivery service on or before September 1 and received at the proper BLM State Office within 15 calendar days after the due date. Payments may also be made by telephone using a credit card. A complete listing of BLM State Offices with their addresses and phone numbers can be found at <http://www.blm.gov>.
- The maintenance fee for the following claim(s)/site(s) applies to the assessment year 2016.

CLAIM/SITE NAME	BLM SERIAL NO.
Picacho #1	AMC 403665
Picacho #2	AMC 403666
Hila Mountain #1	AMC 396392
Sunset #1	AMC 398948
Sunset #2	AMC 398949
Sunset #3	AMC 398950
Sunset #4	AMC 398962
Sunset #5	AMC 398963
Sunset #6	AMC 398964
Sunset #7	AMC 398967

Use a separate sheet for additional claim/site names, serial numbers, and claimant names and addresses.

(Continued on page 2)

3379597

RECEIVED
 DEPT. OF THE INTERIOR
 BUREAU OF LAND MANAGEMENT
 PHOENIX, ARIZONA
 11:00

Riam

United States Department of the Interior
Bureau of Land Management
 LANDS/RECREATION & PLANNING
 ONE N CENTRAL AVE
 PHOENIX, AZ 85004 -2203
 Phone: 602-417-9200

Receipt

No: 3379597

Transaction #: 3477856	
Date of Transaction: 08/28/2015	
CUSTOMER:	
C WILLIAMS NICHOLS 26134 N 93RD AVE PEORIA, AZ 85383-1350 US	

LINE #	QTY	DESCRIPTION	REMARKS	UNIT PRICE	TOTAL
1	1.00	LOCATABLE MINERALS / MINING CLAIMS-NOT NEW-UNADJUD, ONE AUTH NO. ONLY / MINING CLAIM MONEY RECEIVED CASES: AMC403665/\$1550.00	2016 MAINT/10	- n/a -	1550.00
TOTAL:					\$1,550.00

PAYMENT INFORMATION			
1	AMOUNT:	1550.00	POSTMARKED: N/A
	TYPE:	CHECK	RECEIVED: 08/28/2015
	CHECK NO:	180	
	NAME:	NICHOLS, CWILLIAMS 26134 N 93RD AVE PEORIA AZ 85383-1350 US	

REMARKS

This receipt was generated by the automated BLM Collections and Billing System and is a paper representation of a portion of the official electronic record contained therein.

RAN

UNITED STATES
DEPARTMENT OF THE INTERIOR
BUREAU OF LAND MANAGEMENT
MAINTENANCE FEE PAYMENT FORM
FOR PLACER MINING CLAIMS

AMC 384793 AMC 397074
394051 398944
394491 398962
394513 403058

Remitter Name: C. William & Marianne J. Nichols
Mailing Address: 26134 N. 93rd Ave.
City, State, Zip: Peoria, AZ 85383

396284 403665
396392 410302

Check here if this is a change of address.

FOR COUNTY RECORDER'S USE

No. of claims 10
Total due BLM \$ 3100.00

1. The maintenance fee may be paid by cash, check, money order, Bureau of Land Management (BLM) Declining Deposit Account, or credit card (VISA, American Express, Discover, or MasterCard). Payments must be remitted to the BLM State Office where your claim or site is recorded and received on or before September 1. If the payment is mailed, the envelope must be postmarked by a bona fide delivery service on or before September 1 and received at the proper BLM State Office within 15 calendar days after the due date. Payments may also be made by telephone using a credit card. A complete listing of BLM State Offices with their addresses and phone numbers can be found at <http://www.blm.gov>.

2. The maintenance fee for the following claim(s) applies to the assessment year 2015.

CLAIM NAME	BLM SERIAL NO.	ACRES IN CLAIM	PAYMENT DUE TO THE BLM (See Instructions on Page 2)
Sila Mountain #36	AMC 394509	40	310.00
Sila Mountain #37	AMC 394509 ¹⁰	40	310.00
Sila Mountain #38	AMC 394511	40	310.00
Sila Mountain #39	AMC 394512	40	310.00
Sila Mountain #40	AMC 394051	40	310.00
Sila Mountain #41	AMC 394513 ³⁹⁴⁵¹³	40	310.00
Sila Mountain #42	AMC 396284	40	310.00
Sila Mountain #43	AMC 396285	40	310.00
Sila Mountain #44	AMC 397074	40	310.00
Sila Mountain #45	AMC 397075	40	310.00

Use a separate sheet for additional claim names, serial numbers, and claimant names and addresses.

ENTERED
AUG 28 2014
PB

RECEIVED
BLM AZ STATE OFFICE
2014 AUG 25 P 2:00

UNITED STATES
DEPARTMENT OF THE INTERIOR
BUREAU OF LAND MANAGEMENT

**MAINTENANCE FEE PAYMENT FORM FOR
LODE CLAIMS, MILL SITES, AND TUNNEL SITES**

Remitter Name: C. William +
Marcelline J. Nichols
Mailing Address: 26134 N. 93rd Ave.
City, State, Zip: Peoria, AZ 85383

Check here if this is a change of address.

FOR COUNTY RECORDER'S USE

No. of claims/sites 10
x \$/65 per claim/site
Total due BLM \$ 1,550.00

- The maintenance fee may be paid by cash, check, money order, Bureau of Land Management (BLM) Declining Deposit Account, or credit card (VISA, American Express, Discover, or MasterCard). Payments must be remitted to the BLM State Office where your claim or site is recorded and received on or before September 1. If the payment is mailed, the envelope must be postmarked by a bona fide delivery service on or before September 1 and received at the proper BLM State Office within 15 calendar days after the due date. Payments may also be made by telephone using a credit card. A complete listing of BLM State Offices with their addresses and phone numbers can be found at <http://www.blm.gov>.
- The maintenance fee for the following claim(s)/site(s) applies to the assessment year 2015.

CLAIM/SITE NAME	BLM SERIAL NO.
Peaacho #1	AMC 403665
Peaacho #2	AMC 403666
Hila Mountain #1	AMC 396392
Sunset #1	AMC 398948
Sunset #2	AMC 398949
Sunset #3	AMC 398950
Sunset #4	AMC 398962
Sunset #5	AMC 398963
Sunset #6	AMC 398964
Sunset #7	AMC 398951

Use a separate sheet for additional claim/site names, serial numbers, and claimant names and addresses.

RECEIVED
BLM AZ STATE OFFICE
2014 AUG 25 P 2:00
PHOENIX, ARIZONA

UNITED STATES
DEPARTMENT OF THE INTERIOR
BUREAU OF LAND MANAGEMENT
MAINTENANCE FEE PAYMENT FORM FOR
LODE CLAIMS, MILL SITES, AND TUNNEL SITES

Remitter Name: C. William +
Marilyn J Nichols
Mailing Address: 26134 N. 93rd Ave.
City, State, Zip: Peoria, AZ 85383

Check here if this is a change of address.

FOR COUNTY RECORDER'S USE

No. of claims/sites 5
x \$ 155 per claim/site
Total due BLM \$ 775.00

1. The maintenance fee may be paid by cash, check, money order, Bureau of Land Management (BLM) Declining Deposit Account, or credit card (VISA, American Express, Discover, or MasterCard). Payments must be remitted to the BLM State Office where your claim or site is recorded and received on or before September 1. If the payment is mailed, the envelope must be postmarked by a bona fide delivery service on or before September 1 and received at the proper BLM State Office within 15 calendar days after the due date. Payments may also be made by telephone using a credit card. A complete listing of BLM State Offices with their addresses and phone numbers can be found at <http://www.blm.gov>.
2. The maintenance fee for the following claim(s)/site(s) applies to the assessment year 2015

CLAIM/SITE NAME	BLM SERIAL NO.
<u>Sunset #8</u>	<u>AMC 398952</u>
<u>Sunset #9</u>	<u>AMC 398953</u>
<u>Sunset #10</u>	<u>AMC 398954</u>
<u>Sunset #11</u>	<u>AMC 398955</u>
<u>Cordes Mountain #1</u>	<u>AMC 410302</u>

Use a separate sheet for additional claim/site names, serial numbers, and claimant names and addresses.

RECEIVED
M AZ STATE OFFICE
2014 AUG 25 P 2:00
PHOENIX, ARIZONA

UNITED STATES
DEPARTMENT OF THE INTERIOR
BUREAU OF LAND MANAGEMENT
MAINTENANCE FEE PAYMENT FORM
FOR PLACER MINING CLAIMS

Remitter Name: C William +
Marilyn J Nichols
Mailing Address: 26134 N. 93rd Ave
City, State, Zip: Peoria, AZ 85383

Check here if this is a change of address.

FOR COUNTY RECORDER'S USE

No. of claims 5
Total due BLM \$ 1,550.00

- The maintenance fee may be paid by cash, check, money order, Bureau of Land Management (BLM) Declining Deposit Account, or credit card (VISA, American Express, Discover, or MasterCard). Payments must be remitted to the BLM State Office where your claim or site is recorded and received on or before September 1. If the payment is mailed, the envelope must be postmarked by a bona fide delivery service on or before September 1 and received at the proper BLM State Office within 15 calendar days after the due date. Payments may also be made by telephone using a credit card. A complete listing of BLM State Offices with their addresses and phone numbers can be found at <http://www.blm.gov>.
- The maintenance fee for the following claim(s) applies to the assessment year 2015.

CLAIM NAME	BLM SERIAL NO.	ACRES IN CLAIM	PAYMENT DUE TO THE BLM (See Instructions on Page 2)
<u>Sila Mountain #46</u>	<u>AMC 397076</u>	<u>40</u>	<u>310.00</u>
<u>Sila Mountain #47</u>	<u>AMC 398944</u>	<u>40</u>	<u>310.00</u>
<u>Sila Mountain #48</u>	<u>AMC 398945</u>	<u>40</u>	<u>310.00</u>
<u>Sila Mountain #49</u>	<u>AMC 398946</u>	<u>40</u>	<u>310.00</u>
<u>Sila Mountain #50</u>	<u>AMC 398947</u>	<u>40</u>	<u>310.00</u>

Use a separate sheet for additional claim names, serial numbers, and claimant names and addresses.

RECEIVED
BLM AZ STATE OFFICE

(Continued on page 2)

UNITED STATES
DEPARTMENT OF THE INTERIOR
BUREAU OF LAND MANAGEMENT
MAINTENANCE FEE PAYMENT FORM
FOR PLACER MINING CLAIMS

Remitter Name: William & Marcelline J Nichols
Mailing Address: 26134 N. 93rd Ave.
City, State, Zip: Peoria, AZ 85383

Check here if this is a change of address.

FOR COUNTY RECORDER'S USE

No. of claims 10
Total due BLM \$ 3,100.00

1. The maintenance fee may be paid by cash, check, money order, Bureau of Land Management (BLM) Declining Deposit Account, or credit card (VISA, American Express, Discover, or MasterCard). Payments must be remitted to the BLM State Office where your claim or site is recorded and received on or before September 1. If the payment is mailed, the envelope must be postmarked by a bona fide delivery service on or before September 1 and received at the proper BLM State Office within 15 calendar days after the due date. Payments may also be made by telephone using a credit card. A complete listing of BLM State Offices with their addresses and phone numbers can be found at <http://www.blm.gov>.

2. The maintenance fee for the following claim(s) applies to the assessment year 2015.

CLAIM NAME	BLM SERIAL NO.	ACRES IN CLAIM	PAYMENT DUE TO THE BLM (See Instructions on Page 2)
<u>Sila Mountain #26</u>	<u>AMC 394499</u>	<u>40</u>	<u>310.00</u>
<u>Sila Mountain #27</u>	<u>AMC 394500</u>	<u>40</u>	<u>310.00</u>
<u>Sila Mountain #28</u>	<u>AMC 394501</u>	<u>40</u>	<u>310.00</u>
<u>Sila Mountain #29</u>	<u>AMC 394502</u>	<u>40</u>	<u>310.00</u>
<u>Sila Mountain #30</u>	<u>AMC 394503</u>	<u>40</u>	<u>310.00</u>
<u>Sila Mountain #31</u>	<u>AMC 394504</u>	<u>40</u>	<u>310.00</u>
<u>Sila Mountain #32</u>	<u>AMC 394505</u>	<u>40</u>	<u>310.00</u>
<u>Sila Mountain #33</u>	<u>AMC 394506</u>	<u>40</u>	<u>310.00</u>
<u>Sila Mountain #34</u>	<u>AMC 394507</u>	<u>40</u>	<u>310.00</u>
<u>Sila Mountain #35</u>	<u>AMC 394508</u>	<u>40</u>	<u>310.00</u>

Use a separate sheet for additional claim names, serial numbers, and claimant names and addresses.

RECEIVED
M AZ STATE OFFICE
2014 AUG 25 P 2:00

UNITED STATES
DEPARTMENT OF THE INTERIOR
BUREAU OF LAND MANAGEMENT
**MAINTENANCE FEE PAYMENT FORM
FOR PLACER MINING CLAIMS**

Remitter Name: C. William +
Marcelline J. Nichols
Mailing Address: 26134 N. 93rd Ave.
City, State, Zip: Peoria, AZ 85383

Check here if this is a change of address.

FOR COUNTY RECORDER'S USE

No. of claims 10
Total due BLM \$ 3,100.00

1. The maintenance fee may be paid by cash, check, money order, Bureau of Land Management (BLM) Declining Deposit Account, or credit card (VISA, American Express, Discover, or MasterCard). Payments must be remitted to the BLM State Office where your claim or site is recorded and received on or before September 1. If the payment is mailed, the envelope must be postmarked by a bona fide delivery service on or before September 1 and received at the proper BLM State Office within 15 calendar days after the due date. Payments may also be made by telephone using a credit card. A complete listing of BLM State Offices with their addresses and phone numbers can be found at <http://www.blm.gov>.

2. The maintenance fee for the following claim(s) applies to the assessment year 2015.

CLAIM NAME	BLM SERIAL NO.	ACRES IN CLAIM	PAYMENT DUE TO THE BLM (See Instructions on Page 2)
<u>Sila Mountain #16</u>	<u>AMC 384807</u>	<u>40</u>	<u>310.00</u>
<u>Sila Mountain #17</u>	<u>AMC 384808</u>	<u>40</u>	<u>310.00</u>
<u>Sila Mountain #18</u>	<u>AMC 394491</u>	<u>40</u>	<u>310.00</u>
<u>Sila Mountain #19</u>	<u>AMC 394492</u>	<u>40</u>	<u>310.00</u>
<u>Sila Mountain #20</u>	<u>AMC 394493</u>	<u>40</u>	<u>310.00</u>
<u>Sila Mountain #21</u>	<u>AMC 394494</u>	<u>40</u>	<u>310.00</u>
<u>Sila Mountain #22</u>	<u>AMC 394495</u>	<u>40</u>	<u>310.00</u>
<u>Sila Mountain #23</u>	<u>AMC 394496</u>	<u>40</u>	<u>310.00</u>
<u>Sila Mountain #24</u>	<u>AMC 394497</u>	<u>40</u>	<u>310.00</u>
<u>Sila Mountain #25</u>	<u>AMC 394498</u>	<u>40</u>	<u>310.00</u>

Use a separate sheet for additional claim names, serial numbers, and claimant names and addresses.

RECEIVED
BLM AZ STATE OFFICE
JUN 27 2012

UNITED STATES
DEPARTMENT OF THE INTERIOR
BUREAU OF LAND MANAGEMENT
MAINTENANCE FEE PAYMENT FORM
FOR PLACER MINING CLAIMS

Remitter Name: C William + Marilline J Nichols
Mailing Address: 26134 N. 93rd Ave.
City, State, Zip: Peoria, AZ 85383

Check here if this is a change of address.

FOR COUNTY RECORDER'S USE

No. of claims 10
Total due BLM \$ 3,100.00

- The maintenance fee may be paid by cash, check, money order, Bureau of Land Management (BLM) Declining Deposit Account, or credit card (VISA, American Express, Discover, or MasterCard). Payments must be remitted to the BLM State Office where your claim or site is recorded and received on or before September 1. If the payment is mailed, the envelope must be postmarked by a bona fide delivery service on or before September 1 and received at the proper BLM State Office within 15 calendar days after the due date. Payments may also be made by telephone using a credit card. A complete listing of BLM State Offices with their addresses and phone numbers can be found at <http://www.blm.gov>.
- The maintenance fee for the following claim(s) applies to the assessment year 2015.

CLAIM NAME	BLM SERIAL NO.	ACRES IN CLAIM	PAYMENT DUE TO THE BLM (See Instructions on Page 2)
<u>Sila Mountain #6</u>	<u>AMC 384797</u>	<u>40</u>	<u>310.00</u>
<u>Sila Mountain #7</u>	<u>AMC 384798</u>	<u>40</u>	<u>310.00</u>
<u>Sila Mountain #8</u>	<u>AMC 384799</u>	<u>40</u>	<u>310.00</u>
<u>Sila Mountain #9</u>	<u>AMC 384800</u>	<u>40</u>	<u>310.00</u>
<u>Sila Mountain #10</u>	<u>AMC 384801</u>	<u>40</u>	<u>310.00</u>
<u>Sila Mountain #11</u>	<u>AMC 384802</u>	<u>40</u>	<u>310.00</u>
<u>Sila Mountain #12</u>	<u>AMC 384803</u>	<u>40</u>	<u>310.00</u>
<u>Sila Mountain #13</u>	<u>AMC 384804</u>	<u>40</u>	<u>310.00</u>
<u>Sila Mountain #14</u>	<u>AMC 384805</u>	<u>40</u>	<u>310.00</u>
<u>Sila Mountain #15</u>	<u>AMC 384806</u>	<u>40</u>	<u>310.00</u>

Use a separate sheet for additional claim names, serial numbers, and claimant names and addresses.

RECEIVED
BLM AZ STATE OFFICE
2014 AUG 25 P 2:01
PHOENIX, ARIZONA

UNITED STATES
DEPARTMENT OF THE INTERIOR
BUREAU OF LAND MANAGEMENT
**MAINTENANCE FEE PAYMENT FORM
FOR PLACER MINING CLAIMS**

Remitter Name: C. William +
Marcelline J Nichols
Mailing Address: 26134 N. 93rd Ave.
City, State, Zip: Peoria, AZ 85383

Check here if this is a change of address.

FOR COUNTY RECORDER'S USE

No. of claims 10
Total due BLM \$ 3100.00

1. The maintenance fee may be paid by cash, check, money order, Bureau of Land Management (BLM) Declining Deposit Account, or credit card (VISA, American Express, Discover, or MasterCard). Payments must be remitted to the BLM State Office where your claim or site is recorded and received on or before September 1. If the payment is mailed, the envelope must be postmarked by a bona fide delivery service on or before September 1 and received at the proper BLM State Office within 15 calendar days after the due date. Payments may also be made by telephone using a credit card. A complete listing of BLM State Offices with their addresses and phone numbers can be found at <http://www.blm.gov>.

2. The maintenance fee for the following claim(s) applies to the assessment year 2015.

CLAIM NAME	BLM SERIAL NO.	ACRES IN CLAIM	PAYMENT DUE TO THE BLM (See Instructions on Page 2)
Cordes Peak #1	AMC 410303	40	310.00
Cordes Peak #2	AMC 410304	40	310.00
Estrella #1	AMC 384793	40	310.00
Estrella #2	AMC 384794	40	310.00
Estrella #3	AMC 384795	40	310.00
Estrella #4	AMC 384796	40	310.00
Sela Mountain #1	AMC 403058	40	310.00
Sela Mountain #2	AMC 403059	40	310.00
Sela Mountain #3	AMC 403060	40	310.00
Sela Mountain #4	AMC 403061	40	310.00

Use a separate sheet for additional claim names, serial numbers, and addresses.

RECEIVED
MAY 25 2015
BLM STATE OFFICE

DEPARTMENT OF THE INTERIOR
BUREAU OF LAND MANAGEMENT
MINING CLAIMS

MC Customer Information - With Serial No. and Claim Name
ACTIVE CLAIMS

Admin State: AZ
Geo State: AZ

12 Lead #s

NICHOLS CHARLES WILLIAM
26134 N 93RD AVE
PEORIA, AZ 85383-1350

CUSTOMER ID: 2256028

<u>Serial No.</u>	<u>Claim Name/Number</u>	<u>Lead Serial No.</u>	<u>Disposition</u>
AMC384793 ✓	ESTRELLA 1	AMC384793	ACTIVE
AMC384794 -	ESTRELLA 2	AMC384793	ACTIVE
AMC384795 ✓	ESTRELLA 3	AMC384793	ACTIVE
AMC384796 ✓	ESTRELLA 4	AMC384793	ACTIVE
AMC384797 -	GILA MOUNTAIN 6	AMC384793	ACTIVE
AMC384798 -	GILA MOUNTAIN 7	AMC384793	ACTIVE
AMC384799 -	GILA MOUNTAIN 8	AMC384793	ACTIVE
AMC384800 -	GILA MOUNTAIN 9	AMC384793	ACTIVE
AMC384801 -	GILA MOUNTAIN 10	AMC384793	ACTIVE
AMC384802 -	GILA MOUNTAIN 11	AMC384793	ACTIVE
AMC384803 -	GILA MOUNTAIN 12	AMC384793	ACTIVE
AMC384804 -	GILA MOUNTAIN 13	AMC384793	ACTIVE
AMC384805 -	GILA MOUNTAIN 14	AMC384793	ACTIVE
AMC384806 -	GILA MOUNTAIN 15	AMC384793	ACTIVE
AMC384807 -	GILA MOUNTAIN 16	AMC384793	ACTIVE
AMC384808 ✓	GILA MOUNTAIN 17	AMC384793	ACTIVE
AMC394051 -	GILA MOUNTAIN #40	AMC394051	ACTIVE
AMC394491 ✓	GILA MOUNTAIN #18	AMC394491	ACTIVE
AMC394492 ✓	GILA MOUNTAIN #19	AMC394491	ACTIVE
AMC394493 ✓	GILA MOUNTAIN #20	AMC394491	ACTIVE
AMC394494 -	GILA MOUNTAIN #21	AMC394491	ACTIVE
AMC394495 ✓	GILA MOUNTAIN #22	AMC394491	ACTIVE
AMC394496 -	GILA MOUNTAIN #23	AMC394491	ACTIVE
AMC394497 ✓	GILA MOUNTAIN #24	AMC394491	ACTIVE
AMC394498 -	GILA MOUNTAIN #25	AMC394491	ACTIVE
AMC394499 -	GILA MOUNTAIN #26	AMC394491	ACTIVE
AMC394500 -	GILA MOUNTAIN #27	AMC394491	ACTIVE
AMC394501 ✓	GILA MOUNTAIN #28	AMC394491	ACTIVE
AMC394502 ✓	GILA MOUNTAIN #29	AMC394491	ACTIVE
AMC394503 -	GILA MOUNTAIN #30	AMC394491	ACTIVE
AMC394504 -	GILA MOUNTAIN #31	AMC394491	ACTIVE
AMC394505 ✓	GILA MOUNTAIN #32	AMC394491	ACTIVE
AMC394506 -	GILA MOUNTAIN #33	AMC394491	ACTIVE
AMC394507 ✓	GILA MOUNTAIN #34	AMC394491	ACTIVE
AMC394508 -	GILA MOUNTAIN #35	AMC394491	ACTIVE
AMC394509 ✓	GILA MOUNTAIN #36	AMC394491	ACTIVE
AMC394510 -	GILA MOUNTAIN #37	AMC394491	ACTIVE
AMC394511 ✓	GILA MOUNTAIN #38	AMC394491	ACTIVE
AMC394512 ✓	GILA MOUNTAIN #39	AMC394491	ACTIVE
AMC394513 ✓	GILA MOUNTAIN #40	AMC394513	ACTIVE
AMC396284 ✓	GILA MOUNTAIN #42	AMC396284	ACTIVE
AMC396285 -	GILA MOUNTAIN #43	AMC396284	ACTIVE
AMC396392 ✓	GILA MOUNTAIN LODE 1	AMC396392	ACTIVE
AMC397074 -	GILA MOUNTAIN #44	AMC397074	ACTIVE
AMC397075 -	GILA MOUNTAIN #45	AMC397074	ACTIVE
AMC397076 -	GILA MOUNTAIN #46	AMC397074	ACTIVE
AMC398944 -	GILA MOUNTAIN #47	AMC398944	ACTIVE
AMC398945 ✓	GILA MOUNTAIN #48	AMC398944	ACTIVE

DEPARTMENT OF THE INTERIOR
BUREAU OF LAND MANAGEMENT
MINING CLAIMS

MC Customer Information - With Serial No. and Claim Name
ACTIVE CLAIMS

<u>Serial No.</u>	<u>Claim Name/Number</u>	<u>Lead Serial No.</u>	<u>Disposition</u>
AMC398946 ✓	GILA MOUNTAIN #49	AMC398944	ACTIVE
AMC398947 ✓	GILA MOUNTAIN #50	AMC398944	ACTIVE
AMC398948 ✓	SUNSET #1	AMC398944	ACTIVE
AMC398949 ✓	SUNSET #2	AMC398944	ACTIVE
AMC398950 ✓	SUNSET #3	AMC398944	ACTIVE
AMC398951 ✓	SUNSET #7	AMC398944	ACTIVE
AMC398952 ✓	SUNSET #8	AMC398944	ACTIVE
AMC398953 ✓	SUNSET #9	AMC398944	ACTIVE
AMC398954 ✓	SUNSET #10	AMC398944	ACTIVE
AMC398955 ✓	SUNSET #11	AMC398944	ACTIVE
AMC398962 ✓	SUNSET #4	AMC398962	ACTIVE
AMC398963 ✓	SUNSET #5	AMC398962	ACTIVE
AMC398964 ✓	SUNSET #6	AMC398962	ACTIVE
AMC403058 ✓	GILA MOUNTAIN #1	AMC403058	ACTIVE
AMC403059 ✓	GILA MOUNTAIN #2	AMC403058	ACTIVE
AMC403060 ✓	GILA MOUNTAIN #3	AMC403058	ACTIVE
AMC403061 ✓	GILA MOUNTAIN #4	AMC403058	ACTIVE
AMC403665 ✓	PICACHO #1	AMC403665	ACTIVE
AMC403666 ✓	PICACHO #2	AMC403665	ACTIVE
AMC410302 ✓	CORDES MOUNTAIN 1	AMC410302	ACTIVE
AMC410303 ✓	CORDES PEAK 1	AMC410302	ACTIVE
AMC410304 ✓	CORDES PEAK 2	AMC410302	ACTIVE

Number of ACTIVE cases: 70

Message:

70 ROWS RETRIEVED

CBS Export Results Report

Include Resolved Records

Record Status

- Error Records (E/M/I)
- Accepted Records (A/W)
- "On Hold" Records (H)
- All Records (for s/n or receipt nr)
- Exported, No Results From CBS
- New (not yet exported)

Search Criteria

Enter export Date (mm/dd/yyyy)

Serial Number match (optional)

Receipt Nr (optional)

Export Nr (exclusive)

LR2000 User (defaults to login)

Responsible Area (Errors Only)

- User (U,X)
- Programmer (P,X)
- All (U,P,X)

[User Guide](#)

[Printable Format \(legal/landscape\)](#)

	Resend?	Export Nr	A/D	Serial Nr	Multi	Code	\$ Amount	Remarks	Receipt Nr	LR2000 User	#Msg	Resolved?	OK	Stat1	Area	CBS Msg 1	Stat2	Area	Msg 2	CBS 392 ID	392 \$ Amt	Action Update Date	Resend	Resend Orig	Export Date
1	<input type="checkbox"/>	4713884	A	AMC384793		782	310.00	2015;S310	3111385	PAULINEB		<input type="checkbox"/>								2086294	19375.00	8/28/2014 13:01			
2	<input type="checkbox"/>	4713885	A	AMC384794		782	310.00	2015;S310	3111385	PAULINEB		<input type="checkbox"/>								2086294	19375.00	8/28/2014 13:01			
3	<input type="checkbox"/>	4713886	A	AMC384795		782	310.00	2015;S310	3111385	PAULINEB		<input type="checkbox"/>								2086294	19375.00	8/28/2014 13:01			
4	<input type="checkbox"/>	4713887	A	AMC384796		782	310.00	2015;S310	3111385	PAULINEB		<input type="checkbox"/>								2086294	19375.00	8/28/2014 13:01			
5	<input type="checkbox"/>	4713888	A	AMC384797		782	310.00	2015;S310	3111385	PAULINEB		<input type="checkbox"/>								2086294	19375.00	8/28/2014 13:01			
6	<input type="checkbox"/>	4713889	A	AMC384798		782	310.00	2015;S310	3111385	PAULINEB		<input type="checkbox"/>								2086294	19375.00	8/28/2014 13:01			
7	<input type="checkbox"/>	4713890	A	AMC384799		782	310.00	2015;S310	3111385	PAULINEB		<input type="checkbox"/>								2086294	19375.00	8/28/2014 13:01			
8	<input type="checkbox"/>	4713891	A	AMC384800		782	310.00	2015;S310	3111385	PAULINEB		<input type="checkbox"/>								2086294	19375.00	8/28/2014 13:01			
9	<input type="checkbox"/>	4713892	A	AMC384801		782	310.00	2015;S310	3111385	PAULINEB		<input type="checkbox"/>								2086294	19375.00	8/28/2014 13:01			
10	<input type="checkbox"/>	4713893	A	AMC384802		782	310.00	2015;S310	3111385	PAULINEB		<input type="checkbox"/>								2086294	19375.00	8/28/2014 13:01			
11	<input type="checkbox"/>	4713894	A	AMC384803		782	310.00	2015;S310	3111385	PAULINEB		<input type="checkbox"/>								2086294	19375.00	8/28/2014 13:01			
12	<input type="checkbox"/>	4713895	A	AMC384804		782	310.00	2015;S310	3111385	PAULINEB		<input type="checkbox"/>								2086294	19375.00	8/28/2014 13:01			
13	<input type="checkbox"/>	4713896	A	AMC384805		782	310.00	2015;S310	3111385	PAULINEB		<input type="checkbox"/>								2086294	19375.00	8/28/2014 13:01			
14	<input type="checkbox"/>	4713897	A	AMC384806		782	310.00	2015;S310	3111385	PAULINEB		<input type="checkbox"/>								2086294	19375.00	8/28/2014 13:01			
15	<input type="checkbox"/>	4713898	A	AMC384807		782	310.00	2015;S310	3111385	PAULINEB		<input type="checkbox"/>								2086294	19375.00	8/28/2014 13:01			
16	<input type="checkbox"/>	4713899	A	AMC384808		782	310.00	2015;S310	3111385	PAULINEB		<input type="checkbox"/>								2086294	19375.00	8/28/2014 13:01			
17	<input type="checkbox"/>	4713920	A	AMC394051		782	310.00	2015;S310	3111385	PAULINEB		<input type="checkbox"/>								2086294	19375.00	8/28/2014 13:02			
18	<input type="checkbox"/>	4713967	A	AMC394491		782	310.00	2015;S310	3111385	PAULINEB		<input type="checkbox"/>								2086294	19375.00	8/28/2014 13:03			
19	<input type="checkbox"/>	4713968	A	AMC394492		782	310.00	2015;S310	3111385	PAULINEB		<input type="checkbox"/>								2086294	19375.00	8/28/2014 13:03			
20	<input type="checkbox"/>	4713969	A	AMC394493		782	310.00	2015;S310	3111385	PAULINEB		<input type="checkbox"/>								2086294	19375.00	8/28/2014 13:03			

United States Department of the Interior
Bureau of Land Management
 LANDS/RECREATION & PLANNING
 ONE N CENTRAL AVE
 PHOENIX, AZ 85004 -2203
 Phone: 602-417-9200

Receipt

No: 3111385

Transaction #: 3203090	ENTERED INTO COMPUTER
Date of Transaction: 08/25/2014	
CUSTOMER:	AUG 28 2014 <i>PB</i>
CWILLIAMS NICHOLS 26134 N 93RD AVE PEORIA, AZ 85383-1350 US	

LINE #	QTY	DESCRIPTION	REMARKS	UNIT PRICE	TOTAL
1	1.00	LOCATABLE MINERALS / MINING CLAIMS- NOT NEW-UNADJUD, ONE AUTH NO. ONLY / MINING CLAIM MONEY RECEIVED CASES: AMC403665/\$19375.00	MAINT (70) 2015	- n/a -	19375.00
TOTAL:					\$19,375.00

PAYMENT INFORMATION			
1	AMOUNT:	19375.00	POSTMARKED: N/A
	TYPE:	CHECK	RECEIVED: 08/25/2014
	CHECK NO:	158	
	NAME:	NICHOLS, CWILLIAMS 26134 N 93RD AVE PEORIA AZ 85383-1350 US	

REMARKS

This receipt was generated by the automated BLM Collections and Billing System and is a paper representation of a portion of the official electronic record contained therein.

William & Marcie Nichols

2014 Maintenance Fee

Lead Files

Amc

384793

394051

394491

394513

396284

396392

397074

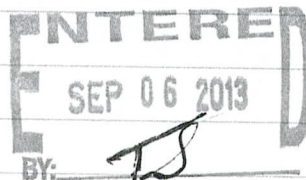
398944

398962

403058

403665

410302



UNITED STATES
DEPARTMENT OF THE INTERIOR
BUREAU OF LAND MANAGEMENT
**MAINTENANCE FEE PAYMENT FORM
FOR PLACER MINING CLAIMS**

Remitter Name: C. William + Marcelline J Nichols
 Mailing Address: 26134 N. 93rd Ave.
 City, State, Zip: Peoria, AZ 85383

Check here if this is a change of address.

RECEIVED
BLM AZ STATE OFFICE
PHOENIX, ARIZONA
2013 AUG 29 A 9:51
FOR COUNTY RECORDER'S USE

No. of claims 10
 Total due BLM \$ 2800.00

- The maintenance fee may be paid by cash, check, money order, Bureau of Land Management (BLM) Declining Deposit Account, or credit card (VISA, American Express, Discover, or MasterCard). Payments must be remitted to the BLM State Office where your claim or site is recorded and received on or before September 1. If the payment is mailed, the envelope must be postmarked by a bona fide delivery service on or before September 1 and received at the proper BLM State Office within 15 calendar days after the due date. Payments may also be made by telephone using a credit card. A complete listing of BLM State Offices with their addresses and phone numbers can be found at <http://www.blm.gov>.
- The maintenance fee for the following claim(s) applies to the assessment year 2014.

CLAIM NAME	BLM SERIAL NO.	ACRES IN CLAIM	PAYMENT DUE TO THE BLM (See Instructions on Page 2)
Cordes Peak #1	AMC 410303	40	\$ 280.00
Cordes Peak #2	AMC 410304	40	\$ 280.00
Estrella #1	AMC 384793	40	\$ 280.00
Estrella #2	AMC 384794	40	\$ 280.00
Estrella #3	AMC 384795	40	\$ 280.00
Estrella #4	AMC 384796	40	\$ 280.00
Sila Mountain #1	AMC 403058	40	\$ 280.00
Sila Mountain #2	AMC 403059	40	\$ 280.00
Sila Mountain #3	AMC 403060	40	\$ 280.00
Sila Mountain #4	AMC 403061	40	\$ 280.00

Use a separate sheet for additional claim names, serial numbers, and claimant names and addresses.

2868509 70
me

UNITED STATES
DEPARTMENT OF THE INTERIOR
BUREAU OF LAND MANAGEMENT
**MAINTENANCE FEE PAYMENT FORM
FOR PLACER MINING CLAIMS**

Remitter Name: <u>C. William & Marcelline J. Nichols</u> Mailing Address: <u>26134 N. 93rd Ave.</u> City, State, Zip: <u>Peoria Ar 85383</u> <input type="checkbox"/> Check here if this is a change of address.	RECEIVED BLM AZ STATE OFFICE PHOENIX, ARIZONA 2013 AUG 29 A 9:5 FOR COUNTY RECORDER'S USE
---	--

No. of claims 10
Total due BLM \$ 2800.00

- The maintenance fee may be paid by cash, check, money order, Bureau of Land Management (BLM) Declining Deposit Account, or credit card (VISA, American Express, Discover, or MasterCard). Payments must be remitted to the BLM State Office where your claim or site is recorded and received on or before September 1. If the payment is mailed, the envelope must be postmarked by a bona fide delivery service on or before September 1 and received at the proper BLM State Office within 15 calendar days after the due date. Payments may also be made by telephone using a credit card. A complete listing of BLM State Offices with their addresses and phone numbers can be found at <http://www.blm.gov>.
- The maintenance fee for the following claim(s) applies to the assessment year 2014.

CLAIM NAME	BLM SERIAL NO.	ACRES IN CLAIM	PAYMENT DUE TO THE BLM (See Instructions on Page 2)
<u>Sila Mountain #6</u>	<u>AMC 384797</u>	<u>40</u>	<u>280.00</u>
<u>Sila Mountain #7</u>	<u>AMC 384798</u>	<u>40</u>	<u>280.00</u>
<u>Sila Mountain #8</u>	<u>AMC 384799</u>	<u>40</u>	<u>280.00</u>
<u>Sila Mountain #9</u>	<u>AMC 384800</u>	<u>40</u>	<u>280.00</u>
<u>Sila Mountain #10</u>	<u>AMC 384801</u>	<u>40</u>	<u>280.00</u>
<u>Sila Mountain #11</u>	<u>AMC 384802</u>	<u>40</u>	<u>280.00</u>
<u>Sila Mountain #12</u>	<u>AMC 384803</u>	<u>40</u>	<u>280.00</u>
<u>Sila Mountain #13</u>	<u>AMC 384804</u>	<u>40</u>	<u>280.00</u>
<u>Sila Mountain #14</u>	<u>AMC 384805</u>	<u>40</u>	<u>280.00</u>
<u>Sila Mountain #15</u>	<u>AMC 384806</u>	<u>40</u>	<u>280.00</u>

Use a separate sheet for additional claim names, serial numbers, and claimant names and addresses.

UNITED STATES
DEPARTMENT OF THE INTERIOR
BUREAU OF LAND MANAGEMENT
**MAINTENANCE FEE PAYMENT FORM
FOR PLACER MINING CLAIMS**

Remitter Name: <u>C. William + Marcelline J Nichols</u> Mailing Address: <u>26134 N. 93rd Ave.</u> City, State, Zip: <u>Peoria Az 85383</u> <input type="checkbox"/> Check here if this is a change of address.	RECEIVED BLM STATE OFFICE MOHAVI, ARIZONA AUG 29 A 9:51 FOR COUNTY RECORDER'S USE
--	--

No. of claims 10
Total due BLM \$ 2800.00

- The maintenance fee may be paid by cash, check, money order, Bureau of Land Management (BLM) Declining Deposit Account, or credit card (VISA, American Express, Discover, or MasterCard). Payments must be remitted to the BLM State Office where your claim or site is recorded and received on or before September 1. If the payment is mailed, the envelope must be postmarked by a bona fide delivery service on or before September 1 and received at the proper BLM State Office within 15 calendar days after the due date. Payments may also be made by telephone using a credit card. A complete listing of BLM State Offices with their addresses and phone numbers can be found at <http://www.blm.gov>.
- The maintenance fee for the following claim(s) applies to the assessment year 2014.

CLAIM NAME	BLM SERIAL NO.	ACRES IN CLAIM	PAYMENT DUE TO THE BLM (See Instructions on Page 2)
<u>Sela Mountain #16</u>	<u>AMC 384807</u>	<u>40</u>	<u>280.00</u>
<u>Sela Mountain #17</u>	<u>AMC 384808</u>	<u>40</u>	<u>280.00</u>
<u>Sela Mountain #18</u>	<u>AMC 394491</u>	<u>40</u>	<u>280.00</u>
<u>Sela Mountain #19</u>	<u>AMC 394492</u>	<u>40</u>	<u>280.00</u>
<u>Sela Mountain #20</u>	<u>AMC 394493</u>	<u>40</u>	<u>280.00</u>
<u>Sela Mountain #21</u>	<u>AMC 394494</u>	<u>40</u>	<u>280.00</u>
<u>Sela Mountain #22</u>	<u>AMC 394495</u>	<u>40</u>	<u>280.00</u>
<u>Sela Mountain #23</u>	<u>AMC 394496</u>	<u>40</u>	<u>280.00</u>
<u>Sela Mountain #24</u>	<u>AMC 394497</u>	<u>40</u>	<u>280.00</u>
<u>Sela Mountain #25</u>	<u>AMC 394498</u>	<u>40</u>	<u>280.00</u>

Use a separate sheet for additional claim names, serial numbers, and claimant names and addresses.

UNITED STATES
DEPARTMENT OF THE INTERIOR
BUREAU OF LAND MANAGEMENT
**MAINTENANCE FEE PAYMENT FORM
FOR PLACER MINING CLAIMS**

Remitter Name: C. Wellman +
Marshall J. Nichols
Mailing Address: 26134 N. 93rd Ave.
City, State, Zip: Peoria Az 85383

Check here if this is a change of address.

RECEIVED
BLM AZ STATE OFFICE
2013 AUG 29 A 9:55
PHOENIX, ARIZONA
FOR COUNTY RECORDER'S USE

No. of claims 10
Total due BLM \$ 2800.00

- The maintenance fee may be paid by cash, check, money order, Bureau of Land Management (BLM) Declining Deposit Account, or credit card (VISA, American Express, Discover, or MasterCard). Payments must be remitted to the BLM State Office where your claim or site is recorded and received on or before September 1. If the payment is mailed, the envelope must be postmarked by a bona fide delivery service on or before September 1 and received at the proper BLM State Office within 15 calendar days after the due date. Payments may also be made by telephone using a credit card. A complete listing of BLM State Offices with their addresses and phone numbers can be found at <http://www.blm.gov>.
- The maintenance fee for the following claim(s) applies to the assessment year 2014.

CLAIM NAME	BLM SERIAL NO.	ACRES IN CLAIM	PAYMENT DUE TO THE BLM (See Instructions on Page 2)
Sila Mountain #26	AMC 394499	40	280.00
Sila Mountain #27	AMC 394500	40	280.00
Sila Mountain #28	AMC 394501	40	280.00
Sila Mountain #29	AMC 394502	40	280.00
Sila Mountain #30	AMC 394503	40	280.00
Sila Mountain #31	AMC 394504	40	280.00
Sila Mountain #32	AMC 394505	40	280.00
Sila Mountain #33	AMC 394506	40	280.00
Sila Mountain #34	AMC 394507	40	280.00
Sila Mountain #35	AMC 394508	40	280.00

Use a separate sheet for additional claim names, serial numbers, and claimant names and addresses.

UNITED STATES
DEPARTMENT OF THE INTERIOR
BUREAU OF LAND MANAGEMENT
**MAINTENANCE FEE PAYMENT FORM
FOR PLACER MINING CLAIMS**

Remitter Name: <u>C. William + Marcelline J Nichols</u> Mailing Address: <u>26134 W. 93rd Ave</u> City, State, Zip: <u>Peoria, AZ 85383</u> <input type="checkbox"/> Check here if this is a change of address.	RECEIVED BLM AZ STATE OFFICE PHOENIX, ARIZONA 2013 AUG 29 A 9:11 FOR COUNTY RECORDER'S USE
--	---

No. of claims 10
 Total due BLM \$ 2800.00

- The maintenance fee may be paid by cash, check, money order, Bureau of Land Management (BLM) Declining Deposit Account, or credit card (VISA, American Express, Discover, or MasterCard). Payments must be remitted to the BLM State Office where your claim or site is recorded and received on or before September 1. If the payment is mailed, the envelope must be postmarked by a bona fide delivery service on or before September 1 and received at the proper BLM State Office within 15 calendar days after the due date. Payments may also be made by telephone using a credit card. A complete listing of BLM State Offices with their addresses and phone numbers can be found at <http://www.blm.gov>.
- The maintenance fee for the following claim(s) applies to the assessment year 2014.

CLAIM NAME	BLM SERIAL NO.	ACRES IN CLAIM	PAYMENT DUE TO THE BLM (See Instructions on Page 2)
<u>Sila Mountain #36</u>	<u>AMC 394509</u>	<u>40</u>	<u>280.00</u>
<u>Sila Mountain #37</u>	<u>AMC 394510</u>	<u>40</u>	<u>280.00</u>
<u>Sila Mountain #38</u>	<u>AMC 394511</u>	<u>40</u>	<u>280.00</u>
<u>Sila Mountain #39</u>	<u>AMC 394512</u>	<u>40</u>	<u>280.00</u>
<u>Sila Mountain #40</u>	<u>AMC 394051</u>	<u>40</u>	<u>280.00</u>
<u>Sila Mountain #41</u>	<u>AMC 394513</u>	<u>40</u>	<u>280.00</u>
<u>Sila Mountain #42</u>	<u>AMC 396284</u>	<u>40</u>	<u>280.00</u>
<u>Sila Mountain #43</u>	<u>AMC 396285</u>	<u>40</u>	<u>280.00</u>
<u>Sila Mountain #44</u>	<u>AMC 397074</u>	<u>40</u>	<u>280.00</u>
<u>Sila Mountain #45</u>	<u>AMC 397075</u>	<u>40</u>	<u>280.00</u>

Use a separate sheet for additional claim names, serial numbers, and claimant names and addresses.

UNITED STATES
DEPARTMENT OF THE INTERIOR
BUREAU OF LAND MANAGEMENT
**MAINTENANCE FEE PAYMENT FORM
FOR PLACER MINING CLAIMS**

<p>Remitter Name: <u>C. William & Marillie J. Nichols</u></p> <p>Mailing Address: <u>26134 N. 93rd Ave</u></p> <p>City, State, Zip: <u>Peoria AZ 85383</u></p> <p><input type="checkbox"/> Check here if this is a change of address.</p>	<p>RECEIVED BLM AZ STATE OFFICE 2013 AUG 29 A 9:55 PHOENIX, ARIZONA</p> <p>FOR COUNTY RECORDER'S USE</p>
---	---

No. of claims 5
Total due BLM \$ 1400.00

- The maintenance fee may be paid by cash, check, money order, Bureau of Land Management (BLM) Declining Deposit Account, or credit card (VISA, American Express, Discover, or MasterCard). Payments must be remitted to the BLM State Office where your claim or site is recorded and received on or before September 1. If the payment is mailed, the envelope must be postmarked by a bona fide delivery service on or before September 1 and received at the proper BLM State Office within 15 calendar days after the due date. Payments may also be made by telephone using a credit card. A complete listing of BLM State Offices with their addresses and phone numbers can be found at <http://www.blm.gov>.
- The maintenance fee for the following claim(s) applies to the assessment year 2014.

CLAIM NAME	BLM SERIAL NO.	ACRES IN CLAIM	PAYMENT DUE TO THE BLM (See Instructions on Page 2)
<u>Sila Mountain #46</u>	<u>AMC 397076</u>	<u>40</u>	<u>280⁰⁰</u>
<u>Sila Mountain #47</u>	<u>AMC 398944</u>	<u>40</u>	<u>280⁰⁰</u>
<u>Sila Mountain #48</u>	<u>AMC 398945</u>	<u>40</u>	<u>280⁰⁰</u>
<u>Sila Mountain #49</u>	<u>AMC 398946</u>	<u>40</u>	<u>280⁰⁰</u>
<u>Sila Mountain #50</u>	<u>AMC 398947</u>	<u>40</u>	<u>280⁰⁰</u>

Use a separate sheet for additional claim names, serial numbers, and claimant names and addresses.

UNITED STATES
DEPARTMENT OF THE INTERIOR
BUREAU OF LAND MANAGEMENT
**MAINTENANCE FEE PAYMENT FORM FOR
LODE CLAIMS, MILL SITES, AND TUNNEL SITES**

Remitter Name: C. William +
Marilyn J Nichols
Mailing Address: 26134 N. 93rd Ave.
City, State, Zip: Peoria, AZ 85383

Check here if this is a change of address.

RECEIVED
BLM AZ STATE OFFICE
2013 AUG 29 A 9:51
PHOENIX, ARIZONA
FOR COUNTY RECORDER'S USE

No. of claims/sites 5
x \$140 per claim/site
Total due BLM \$ 700⁰⁰

- The maintenance fee may be paid by cash, check, money order, Bureau of Land Management (BLM) Declining Deposit Account, or credit card (VISA, American Express, Discover, or MasterCard). Payments must be remitted to the BLM State Office where your claim or site is recorded and received on or before September 1. If the payment is mailed, the envelope must be postmarked by a bona fide delivery service on or before September 1 and received at the proper BLM State Office within 15 calendar days after the due date. Payments may also be made by telephone using a credit card. A complete listing of BLM State Offices with their addresses and phone numbers can be found at <http://www.blm.gov>.
- The maintenance fee for the following claim(s)/site(s) applies to the assessment year 2014.

CLAIM/SITE NAME	BLM SERIAL NO.
<u>Sunset #8</u>	<u>AMC 398952</u>
<u>Sunset #9</u>	<u>AMC 398953</u>
<u>Sunset #10</u>	<u>AMC 398954</u>
<u>Sunset #11</u>	<u>AMC 398955</u>
<u>Cordes Mountain #1</u>	<u>AMC 410302</u>

Use a separate sheet for additional claim/site names, serial numbers, and claimant names and addresses.

UNITED STATES
DEPARTMENT OF THE INTERIOR
BUREAU OF LAND MANAGEMENT
**MAINTENANCE FEE PAYMENT FORM FOR
LODE CLAIMS, MILL SITES, AND TUNNEL SITES**

Remitter Name: C. William +
Marcelline J Nichols
Mailing Address: 26134 N. 93rd Ave.
City, State, Zip: Peoria, AZ 85383

Check here if this is a change of address.

RECEIVED
BLM AZ STATE OFFICE
2013 AUG 29 A 9:51
PHOENIX, ARIZONA

FOR COUNTY RECORDER'S USE

No. of claims/sites 10
x \$140 per claim/site
Total due BLM \$ 1,400.00

- The maintenance fee may be paid by cash, check, money order, Bureau of Land Management (BLM) Declining Deposit Account, or credit card (VISA, American Express, Discover, or MasterCard). Payments must be remitted to the BLM State Office where your claim or site is recorded and received on or before September 1. If the payment is mailed, the envelope must be postmarked by a bona fide delivery service on or before September 1 and received at the proper BLM State Office within 15 calendar days after the due date. Payments may also be made by telephone using a credit card. A complete listing of BLM State Offices with their addresses and phone numbers can be found at <http://www.blm.gov>.
- The maintenance fee for the following claim(s)/site(s) applies to the assessment year 2014.

CLAIM/SITE NAME	BLM SERIAL NO.
Picacho #1	AMC 403665
Picacho #1	AMC 403666
Dila Mountain Lode #1	AMC 396392
Sunset #1	AMC 398948
Sunset #2	AMC 398949
Sunset #3	AMC 398950
Sunset #4	AMC 398962
Sunset #5	AMC 398963
Sunset #6	AMC 398964
Sunset #7	AMC 398951

Use a separate sheet for additional claim/site names, serial numbers, and claimant names and addresses.

United States Department of the Interior
 Bureau of Land Management
 LANDS/RECREATION & PLANNING
 ONE N CENTRAL AVE
 PHOENIX, AZ 85004 -2203
 Phone: 602-417-9200

Receipt

No:

2868509

Transaction #: 2954469

Date of Transaction: 08/29/2013

CUSTOMER:

CHARLES WILLIAM NICHOLS
 26134 N 93RD AVE
 PEORIA, AZ 85383-1350 US

LINE #	QTY	DESCRIPTION	REMARKS	UNIT PRICE	TOTAL
1	1.00	LOCATABLE MINERALS / MINING CLAIMS-NOT NEW-UNADJUD, ONE AUTH NO. ONLY / MINING CLAIM MONEY RECEIVED CASES: AMC410303/\$17500.00	MAINT 2014/70	- n/a -	17500.00
TOTAL:					\$17,500.00

PAYMENT INFORMATION

1	AMOUNT:	17500.00	POSTMARKED:	N/A
	TYPE:	CHECK	RECEIVED:	08/29/2013
	CHECK NO:	142		
	NAME:	NICHOLS, CHARLES WILLIAM 26134 N 93RD AVE PEORIA AZ 85383-1350 US		

REMARKS

This receipt was generated by the automated BLM Collections and Billing System and is a paper representation of a portion of the official electronic record contained therein.

Amc 410 502
~~Amc 398944~~
 Amc 398944
 Amc 398962
 Amc 403058
 Amc 403665
 Amc 396392

Amc 384793
 Amc 394513
 Amc 394491
 Amc 394051
 Amc 396284
 Amc 397074

MAINTENANCE FEE PAYMENT

Claimant Name: C. William + Marjorie J. Nichols
 Address: 26134 N. 93rd Ave.
 City: Peoria State: AZ Zip: 85383
 Telephone: 623-376-8045
 E-mail address: mjcarnichols@msw.com
 Signature: Marjorie Nichols

Check here if this is a change of address.

RECEIVED
 PHOENIX, ARIZONA
 2012 AUG 29 P 1:26
 BLM Date Stamp

LINE NO.	AMC NUMBER	CLAIM/SITE NAME	COUNTY RECORDER DATA (If available)	TWP	RNG	SEC
1	384797	Hila Mountain #6	2007-0821533	2S	4W	12
2	384798	Hila Mountain #7	2007-0821534	2S	4W	12
3	384799	Hila Mountain #8	2007-0821585	2S	4W	12
4	384800	Hila Mountain #9	2007-0821536	2S	4W	12
5	384801	Hila Mountain #10	2007-0821537	2S	4W	12
6	384802	Hila Mountain #11	2007-0821538	2S	4W	13
7	384803	Hila Mountain #12	2007-0821539	2S	4W	13
8	384804	Hila Mountain #13	2007-0821540	2S	4W	13
9	384805	Hila Mountain #14	2007-0821541	2S	4W	13
10	384806	Hila Mountain #15	2007-0821542	2S	4W	13

List additional claims on Form MCF114.

No. of Claims: 45 x \$140 = 6300
 Check No: 23917 Init. SC
 Receipt No.: 2644202
 For BLM Use Only

Bureau of Land Management
 Arizona State Office
 www.blm.gov/az/

15 Lodes
 55 40 acre places

This form is available from the Arizona Department of Mines and Mineral Resources and may be reproduced.

55 x \$140 = ~~7,700~~ due

55 x 280 = 15,400 - 7,700 (pd) = ~~7,700~~ due

pd \$7,700 11/15/12 AT

9/11/12 AT

ENTERED INTO COMPUTER

SUPPLEMENTAL ATTACHMENT

May be used with the following forms for listing additional mining claims:

Check One.

- Affidavit of Performance of Annual Work
- Maintenance Fee Payment
- Notice of Intent to Hold Mining Claims
- Notice of Non-Liability for Labor and Materials Furnished

BLM
Date
Stamp

RECEIVED
BLM AZ STATE OFFICE
PHOENIX, ARIZONA
2007 APR 29 AM 1:28

LINE NO.	AMC NUMBER	CLAIM/SITE NAME	COUNTY RECORDER DATA (if available)	TWP	RANG	SECTION
40 11	384807	Hila Mountain #16	2007-0821543	2S	4W	13
40 12	384808	Hila Mountain #17	2007-0821544	2S	4W	13
46 13	394491	Hila Mountain #18	2008-0734873	2S	4W	1
40 14	394492	Hila Mountain #19	2008-0734874	2S	4W	12
40 15	394493	Hila Mountain #20	2008-0734875	2S	4W	12
40 16	394494	Hila Mountain #21	2008-0734876	2S	4W	12
40 17	394495	Hila Mountain #22	2008-0734877	2S	4W	12
40 18	394496	Hila Mountain #23	2008-0734878	2S	4W	12
40 19	394497	Hila Mountain #24	2008-0734879	2S	4W	12
40 20	394498	Hila Mountain #25	2008-0734880	2S	4W	12
40 21	394499	Hila Mountain #26	2008-0734881	2S	4W	12
40 22	394500	Hila Mountain #27	2008-0734882	2S	4W	12
40 23	394501	Hila Mountain #28	2008-0734882	2S	4W	12
40 24	394502	Hila Mountain #29	2008-0734884	2S	4W	12
40 25	394503	Hila Mountain #30	2008-0734885	2S	4W	1
40 26	394504	Hila Mountain #31	2008-0734886	2S	4W	1
40 27	394505	Hila Mountain #32	2008-0734887	2S	4W	12
40 28	394506	Hila Mountain #33	2008-0734888	2S	4W	1
40 29	394507	Hila Mountain #34	2008-0734889	2S	4W	1

Form MCF114
Revised June 2005

SUPPLEMENTAL ATTACHMENT

May be used with the following forms for listing additional mining claims:

Check One.

- Affidavit of Performance of Annual Work
- Maintenance Fee Payment
- Notice of Intent to Hold Mining Claims
- Notice of Non-Liability for Labor and Materials Furnished

RECEIVED
 BLM AZ STATE OFFICE
 2012 AUG 29 P 1:26
 PHOENIX, ARIZONA
 BLM
 Date
 Stamp

LINE NO.	AMC NUMBER	CLAIM/SITE NAME	COUNTY RECORDER DATA (If available)	TWP	RNG	SEC
40	394508	Hila Mountain #35	2008-0734890	2S	4W	1
40	394509	Hila Mountain #36	2008-0734891	2S	4W	1
40	394510	Hila Mountain #37	2008-0734892	2S	4W	1
40	394511	Hila Mountain #38	2008-0734893	2S	4W	1
40	394512	Hila Mountain #39	2008-0734894	2S	4W	13
40	394051	Hila Mountain #40	2008-0686416	2S	3W	7
40	394513	Hila Mountain #41	2008-0737568	2S	4W	1
46	396284	Hila Mountain #42	2009-0214882	2S	3W	6
40	396285	Hila Mountain #43	2009-0214883	2S	3W	6
40	397074	Hila Mountain #44	2009-0635328	2S	3W	6
40	397075	Hila Mountain #45	2009-0635329	2S	3W	6
40	397076	Hila Mountain #46	2009-0635330	2S	3W	7
40	398944	Hila Mountain #47	2009-1150818	1S	4W	25
40	398945	Hila Mountain #48	2009-1150819	1S	4W	25
40	398946	Hila Mountain #49	2009-1150820	1S	4W	25
40	398947	Hila Mountain #50	2009-1150821	1S	4W	25

Form MCF114
 Revised June 2005

MAINTENANCE FEE PAYMENT

Claimant Name: C. William + Marjilline J. Nichols
 Address: 26134 N. 93rd Ave.
 City: Peoria State: AZ Zip: 85383
 Telephone: 623-376-8045
 E-mail address: mjcwnichols@msn.com
 Signature: Marjilline J. Nichols

Check here if this is a change of address.

RECEIVED
 BLM AZ STATE OFFICE
 PHOENIX, ARIZONA
 2012 AUG 29 P 1:20
 BLM
 Date
 Stamp

LINE NO.	AMC NUMBER	CLAIM/SITE NAME	COUNTY RECORDER DATA (If available)	TWP	RNG	SEC
1	398948	Sunset #1	2009-1150822	1S	4W	25
2	398949	Sunset #2	2009-1150823	1S	4W	25
3	398950	Sunset #3	2009-1150824	1S	4W	25
4	398962	Sunset #4	2009-1150825	1S	4W	25
5	398963	Sunset #5	2009-1150826	1S	4W	25
6	398964	Sunset #6	2009-1150827	1S	4W	25
7	398951	Sunset #7	2009-1150828	2S	4W	1
8	398952	Sunset #8	2009-1150829	2S	4W	1
9	398953	Sunset #9	2009-1150830	2S	4W	1
10	398954	Sunset #10	2009-1150831	2S	4W	1

List additional claims on Form MCF114.

Bureau of Land Management
Arizona State Office
 www.blm.gov/az/

No. of Claims: 11 x \$140 = 1540
 Check No: 23917 Init. JC
 Receipt No.: 2644202
 For BLM Use Only

Form: MCF112
 Revised July 2009

This form is available from the **Arizona Department of Mines and Mineral Resources** and may be reproduced.

SUPPLEMENTAL ATTACHMENT

May be used with the following forms for listing additional mining claims:

Check One.

- Affidavit of Performance of Annual Work
- Maintenance Fee Payment
- Notice of Intent to Hold Mining Claims
- Notice of Non-Liability for Labor and Materials Furnished

RECEIVED
 BLM AZ STATE OFFICE
 2012 AUG 29 P 1:26
 PHOENIX, ARIZONA
 BLM
 Date
 Stamp

LINE NO.	AMC NUMBER	CLAIM/SITE NAME	COUNTY RECORDER DATA (If available)	TWP	RNG	SEC
11	398955	Sunset # 11	2009-1150832	2S	4W	1

Form MCF114
 Revised June 2005

This form is available from the Arizona Department of Mines & Mineral Resources and may be reproduced.

MAINTENANCE FEE PAYMENT

Claimant Name: C. William + Marceline J Nichols
 Address: 26134 N. 93rd Ave.
 City: Peoria State: AZ Zip: 85383
 Telephone: 623-376-8045
 E-mail address: mjcnichols@msn.com
 Signature: Marcelline J Nichols

Check here if this is a change of address.

RECEIVED
 BLM AZ STATE OFFICE
 2012 AUG 29 P 1:26
 PHOENIX, ARIZONA
 BLM
 Date
 Stamp

LINE NO.	AMC NUMBER	CLAIM/SITE NAME	COUNTY RECORDER DATA (If available)	TWP	RNG	SEC
40 1	403058	Hila Mountain #1	2010-1013786	2S	4W	1
40 2	403059	Hila Mountain #2	2010-1013787	2S	4W	1
40 3	403060	Hila Mountain #3	2010-1013788	2S	4W	1
40 4	403061	Hila Mountain #4	2010-1013789	2S	4W	1
5						
6						
7						
8						
9						
10						

List additional claims on Form MCF114.

Bureau of Land Management
 Arizona State Office
 www.blm.gov/az

No. of Claims: 4 x \$140 = 560
 Check No: 23917 Init. SC
 Receipt No.: 2644202
 For BLM Use Only

Form: MCF112
 Revised July 2009

This form is available from the Arizona Department of Mines and Mineral Resources and may be reproduced.

MAINTENANCE FEE PAYMENT

Claimant Name: C. William + Marjillene J. Nichols
 Address: 26134 N. 93rd Ave.
 City: Peoria State: Az Zip: 85383
 Telephone: 623-376-8045
 E-mail address: mcjawnichols@msn.com
 Signature: Marjillene J. Nichols

Check here if this is a change of address.

RECEIVED
 BLM AZ STATE OFFICE
 2012 AUG 29 P 1:26
 PHOENIX, ARIZONA
 BLM
 Date
 Stamp

LINE NO.	AMC NUMBER	CLAIM/SITE NAME	COUNTY RECORDER DATA (If available)	TWP	RNG	SEC
1	403665	Peiacho #1 ^{Locke}	2010-4433549	7N	2W	21
2	403666	Peiacho #2 ^{Locke}	2010-4433550	7N	2W	21
3						
4						
5						
6						
7						
8						
9						
10						

List additional claims on Form MCF114.

Bureau of Land Management
 Arizona State Office
 www.blm.gov/az/

No. of Claims: 2 x \$140 = 280
 Check No: 23917 Init. SC
 Receipt No.: 2644202
 For BLM Use Only

Form: MCF112
 Revised July 2009

This form is available from the Arizona Department of Mines and Mineral Resources and may be reproduced.

MAINTENANCE FEE PAYMENT

Claimant Name: C William & Marcelline J Nichols
 Address: 261.34 N. 93rd Ave.
 City: Peoria State: AZ Zip: 85383
 Telephone: 623-376-8045
 E-mail address: mjcwnichols@msn.com
 Signature: Marcelline Nichols

Check here if this is a change of address.

RECEIVED
 BLM AZ STATE OFFICE
 2012 AUG 29 P 1:26
 PHOENIX, ARIZONA
 BLM
 Date
 Stamp

LINE NO.	AMC NUMBER	CLAIM/SITE NAME	COUNTY RECORDER DATA (If available)	TWP	RNG	SEC
1	396392	Sila Mountain ^{code} #1	2009-0295666	2S	3W	6
2						
3						
4						
5						
6						
7						
8						
9						
10						

List additional claims on Form MCF114.

Bureau of Land Management
 Arizona State Office
 www.blm.gov/az

No. of Claims: 1 x \$140 = 140
 Check No: 23917 Init. SC
 Receipt No.: 2644202
 For BLM Use Only

Form: MCF112
 Revised July 2009

This form is available from the Arizona Department of Mines and Mineral Resources and may be reproduced.

MAINTENANCE FEE PAYMENT

Claimant Name: C. William & Marcelline J. Nichols
 Address: 26134 N. 93rd Ave.
 City: Peoria State: AZ Zip: 85383
 Telephone: 623-376-8045
 E-mail address: mjcnichols@msio.com
 Signature: Marcelline J. Nichols

Check here if this is a change of address.

RECEIVED
 BLM AZ STATE OFFICE
 2012 AUG 29 P 1:26
 PHOENIX, ARIZONA
 BLM
 Date
 Stamp

LINE NO.	AMC NUMBER	CLAIM/SITE NAME	COUNTY RECORDER DATA (If available)	TWP	RNG	SEC
40 1	384793	Estrella #1	2007-082-1529	15	2W	31
40 2	384794	Estrella #2	2007-082-1530	15	2W	31
40 3	384795	Estrella #3	2007-082-1531	15	2W	31
40 4	384796	Estrella #4	2007-082-1532	15	2W	31
5						
6						
7						
8						
9						
10						

List additional claims on Form MCF114.

Bureau of Land Management
 Arizona State Office
 www.blm.gov/az/

No. of Claims: 4 x \$140 = 560
 Check No: 23917 Init. SC
 Receipt No.: 2644202
 For BLM Use Only

Form: MCF112
 Revised July 2009

MAINTENANCE FEE PAYMENT

Claimant Name: C William & Marianne J Nichols
 Address: 26134 N. 93rd Ave
 City: Peoria State: AZ Zip: 85383
 Telephone: 623-376-8045
 E-mail address: mjc.wnichols@msn.com
 Signature: Marianne J Nichols

Check here if this is a change of address.

RECEIVED
 BLM AZ STATE OFFICE
 2012 AUG 29 P 1:27
 PHOENIX, ARIZONA
 BLM
 Date
 Stamp

LINE NO.	AMC NUMBER	CLAIM/SITE NAME	COUNTY RECORDER DATA (if available)	TWP	RNG	SEC
40 40 40 1	410303	Cordes Peak #1	2011-0047666	11N	2E	27
2	410304	Cordes Peak #2	2011-0047665	11N	2E	27
3	410302	Cordes Mountain #	2011-0047667	11N	2E	27
4						
5						
6						
7						
8						
9						
10						

List additional claims on Form MCF114.

Bureau of Land Management
 Arizona State Office
 www.blm.gov/az

No. of Claims: 3 x \$140 = 420
 Check No: 23917 Init. SC
 Receipt No.: 2644202
 For BLM Use Only

Form: MCF112
 Revised July 2009

United States Department of the Interior
 Bureau of Land Management
 LANDS/RECREATION & PLANNING
 ONE N CENTRAL AVE
 PHOENIX, AZ 85004 -2203
 Phone: 602-417-9200

Receipt

No:

2644202

Transaction #: 2724944	
Date of Transaction: 08/29/2012	
CUSTOMER:	
CWILLIAMS NICHOLS 26134 N 93RD AVE PEORIA, AZ 85383-1350 US	

LINE #	QTY	DESCRIPTION	REMARKS	UNIT PRICE	TOTAL
1	1.00	LOCATABLE MINERALS / MINING CLAIMS-NOT NEW-UNADJUD, ONE AUTH NO. ONLY / MINING CLAIM MONEY RECEIVED CASES: AMC410303/\$9800.00	MAINT (70) 2013	- n/a -	9800.00
TOTAL:					\$9,800.00

PAYMENT INFORMATION					
1	AMOUNT:	9800.00	POSTMARKED:	N/A	
	TYPE:	CHECK	RECEIVED:	08/29/2012	
	CHECK NO:	23917			
	NAME:	KILAUEA CRUSHERS INC P O BOX 1606 GLENDALE AZ 85318 US			

REMARKS

This receipt was generated by the automated BLM Collections and Billing System and is a paper representation of a portion of the official electronic record contained therein.



United States Department of the Interior



BUREAU OF LAND MANAGEMENT

Arizona State Office

One North Central Avenue, Suite 800

Phoenix, Arizona 85004-4427

www.blm.gov/az/

November 2, 2012

NO. OF CLAIMS

AMOUNT \$ 2700.00

RECEIPT NO. 2696827

INIT. D.H.

** BLM-ASO**

In Reply Refer To:

3800 (9310) AT

AMC384793, AMC394051, AMC394491, AMC403058, AMC410302

CERTIFIED MAIL – RETURN RECEIPT REQUEST 7012 2210 0000 8675 2308

NOTICE

NICHOLS CHARLES WILLIAM, MARCILLINE

26134 N 93RD AVE

PEORIA, AZ 85383

This Notice Affects Those Claims

Shown in the Block Below.

AMC384793 - 384808, 394051, 394491 - 394513, 396284, 396285, 397074 - 397076, 398944 - 398947, 403058 - 403061, 410303, 410304

ESTRELLA 1 - 4; GILA MOUNTAIN 6 - 50, 1 - 4; CORDES PEAK #1, #2

2013 Maintenance Fees - Additional Fees Required

Your maintenance fee payment for the 2013 assessment year, in the amount of \$140 per claim, for the placer claims listed above, has been received and is insufficient. **The total due on your claim(s) is: \$87,700.**

In accordance with the Consolidated Appropriations Act of 2012, Public Law 112-74 (125 Stat 1047), and FR44155-44158 (2012) Congress changed the way maintenance fees for placer mining claims are assessed. Instead of charging the maintenance fee on a per-claim basis, Congress stated that the fee, which is currently \$140, will be assessed on each 20 acre parcel of a placer claim or portion thereof.

Insufficient payment of the annual maintenance fee for the 2013 assessment year is a curable defect. **Therefore you are required to do one of the following within 30 days of receipt of this notice or your claim(s) will be declared forfeited:** 1) submit additional fees of \$140 per 20-acres or portion thereof based on the full acreage of the claim, or 2) amend the claim(s) to reduce the acres so a lesser fee is due and submit any additional fees due; or 3) relinquish the claim(s) in their entirety, in which case BLM will refund the maintenance fees you have already paid for the 2013 assessment year.

If you choose to amend the claims to reduce the acres, you must submit an amended location notice for each claim, with an accurate description and dimensions of the reduced claim, along with a map depicting the reduced claim, and a \$10 processing fee per amendment. An amendment must also be recorded at the county. If the amended claim contains more than 20 acres, calculate the additional fees due and submit those fees with the amendment(s).

CLAIM PROCESSING

11/21/12 AT

1:56

Please include your Arizona Mining Claim (AMC) serial number(s) and claim name(s) when submitting the additional fees, and note that you are paying additional fees due. If additional information is required, please contact Amy Thrower at 602-417-9334.

Rebecca Heick

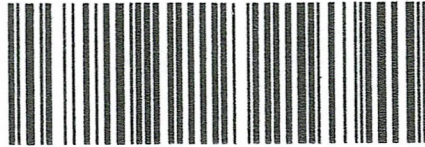
Rebecca Heick
Group Administrator
Lands and Minerals

RECEIVED
2012 NOV 15 PM 1:56
PHOENIX, ARIZONA



C. William & Marcilline Nichols
26134 N. 93rd Ave.
Peoria, AZ 85383-1350

CERTIFIED MAIL™



7008 1830 0001 6700 5741



UNITED STATES
POSTAL SERVICE

1000



85004

U.S. POSTAGE
PAID
GLENDALE, AZ
85308
NOV 14, 12
AMOUNT

\$5.75

00088291-06

RECEIVED
BLM AZ STATE OFFICE

2012 NOV 15 P 1:51

PHOENIX, ARIZONA

*Bureau of Land Management
Arizona State office
1 North Central Ave, Suite 800
Phoenix AZ 85004*

8500484427



**RETURN RECEIPT
REQUESTED**

United States Department of the Interior
Bureau of Land Management
 LANDS/RECREATION & PLANNING
 ONE N CENTRAL AVE
 PHOENIX, AZ 85004 -2203
 Phone: 602-417-9200

Receipt

No: 2690827

Transaction #: 2772484	
Date of Transaction: 11/16/2012	
CUSTOMER:	
CHARLES WILLIAM NICHOLS 26134 N 93RD AVE PEORIA, AZ 85383-1350 US	

LINE #	QTY	DESCRIPTION	REMARKS	UNIT PRICE	TOTAL
1	1.00	LOCATABLE MINERALS / MINING CLAIMS-NOT NEW-UNADJUD, ONE AUTH NO. ONLY / MINING CLAIM MONEY RECEIVED CASES: AMC384793/\$7700.00	ADDITIONAL MONIES FOR MAINT FEE PYMNT 2013	- n/a -	7700.00
TOTAL:					\$7,700.00

PAYMENT INFORMATION					
1	AMOUNT:	7700.00	POSTMARKED:	11/14/2012	
	TYPE:	CHECK	RECEIVED:	11/16/2012	
	CHECK NO:	134			
	NAME:	NICHOLS, MARCILLINE J 26134 N 93RD AVE PEORIA AZ 85383-1350 US			

REMARKS

This receipt was generated by the automated BLM Collections and Billing System and is a paper representation of a portion of the official electronic record contained therein.

AMC 398944

398962

384793

394491

394513

394051

396284

396392

MAINTENANCE FEE PAYMENT

Claimant Name: C William Nichols + Marcelline J. Nichols

Address: 26134 N. 93rd Ave.

City: Peoria State: Az Zip: 85383

Telephone: 623-376-8045

E-mail address: mjw@nichols.com

Signature: Marcelline J. Nichols

Check here if this is a change of address.

RECEIVED
 PLM AZ STATE OFFICE
 200 AUG 23 P 1:41
 PHOENIX, ARIZONA
 BLM
 Date
 Stamp

LINE NO.	AMC NUMBER	CLAIM/SITE NAME	COUNTY RECORDER DATA (If available)	TWP	RNG	SEC
1	398948	Sunset #1	2009-1150822	15	4W	25
2	398949	Sunset #2	2009-1150823	15	4W	25
3	398950	Sunset #3	2009-1150824	15	4W	25
4	398962	Sunset #4	2009-1150825	15	4W	25
5	398963	Sunset #5	2009-1150826	15	4W	25
6	398964	Sunset #6	2009-1150827	15	4W	25
7	398951	Sunset #7	2009-1150828	2S	4W	1
8	398952	Sunset #8	2009-1150829	2S	4W	1
9	398953	Sunset #9	2009-1150830	2S	4W	1
10	398954	Sunset #10	2009-1150831	2S	4W	1

List additional claims on Form MCF114.

Bureau of Land Management
Arizona State Office

No. of Claims: 11 x \$140 = 1540.
 Check No: 20203 Init. SC
 Receipt No.: 2197530
 For BLM Use Only

Form: MCF112
Revised July 2009

This form is available from the Arizona Department of Mines and Mineral Resources and may be reproduced.

10/50

SUPPLEMENTAL ATTACHMENT

May be used with the following forms for listing additional mining claims:

Check One.

- Affidavit of Performance of Annual Work
- Maintenance Fee Payment
- Notice of Intent to Hold Mining Claims
- Notice of Non-Liability for Labor and Materials Furnished

RECEIVED
BLM AZ STATE OFFICE
2010 AUG 23 P 1:14
PHOENIX, ARIZONA

BLM
Date
Stamp

LINE NO.	AMC NUMBER	CLAIM/SITE NAME	COUNTY RECORDER DATA (If available)	TWP	RNG	SEC
11	398955	Sunset # 11	2009-1150832	25	4W	1

Form MCF114
Revised June 2005

This form is available from the Arizona Department of Mines & Mineral Resources and may be reproduced.

1/50

417C 398944
 398962
 384793
 394491
 394513
 394051
 396284
 396392

MAINTENANCE FEE PAYMENT

Claimant Name: C William Nichols + Marcelline J Nichols
 Address: 26134 N. 93rd Ave.
 City: Peoria State: AZ Zip: 85383
 Telephone: 623-376-8045
 E-mail address: mjw.nichols@msn.com
 Signature: [Handwritten Signature]
 Check here if this is a change of address.

RECEIVED
 PLM AZ STATE OFFICE
 2010 AUG 23 P 1:41
 PHOENIX, ARIZONA
 BLM
 Date
 Stamp

LINE NO.	AMC NUMBER	CLAIM/SITE NAME	COUNTY RECORDER DATA (If available)	TWP	RNG	SEC
1	398948	Sunset #1	2009-1150822	15	4W	25
2	398949	Sunset #2	2009-1150823	15	4W	25
3	398950	Sunset #3	2009-1150824	15	4W	25
4	398962	Sunset #4	2009-1150825	15	4W	25
5	398963	Sunset #5	2009-1150826	15	4W	25
6	398964	Sunset #6	2009-1150827	15	4W	25
7	398951	Sunset #7	2009-1150828	25	4W	1
8	398952	Sunset #8	2009-1150829	25	4W	1
9	398953	Sunset #9	2009-1150830	25	4W	1
10	398954	Sunset #10	2009-1150831	25	4W	1

List additional claims on Form MCF114.

Bureau of Land Management
 Arizona State Office

No. of Claims: 11 x \$140 = 1540.
 Check No: 20203 Init. SC
 Receipt No.: 2197530
 For BLM Use Only

Form: MCF112
 Revised July 2009

This form is available from the Arizona Department of Mines and Mineral Resources and may be reproduced.

o/bc

SUPPLEMENTAL ATTACHMENT

May be used with the following forms for listing additional mining claims:

Check One.

- Affidavit of Performance of Annual Work
- Maintenance Fee Payment
- Notice of Intent to Hold Mining Claims
- Notice of Non-Liability for Labor and Materials Furnished

RECEIVED
 CLAIMS SECTION
 PHOENIX, ARIZONA
 2010 AUG 23 P 1:14
 BLM
 Date
 Stamp

LINE NO.	AMC NUMBER	CLAIM/SITE NAME	COUNTY RECORDER DATA (If available)	TWP	RNG	SEC
11	384807	Sila Mountain #16	2007-0821543	25	4W	13
12	384808	Sila Mountain #17	2007-0821544	25	4W	13
13	394491	Sila Mountain #18	2008-0734873	25	4W	1
14	394492	Sila Mountain #19	2008-0734874	25	4W	12
15	394493	Sila Mountain #20	2008-0734875	25	4W	12
16	394494	Sila Mountain #21	2008-0734876	25	4W	12
17	394495	Sila Mountain #22	2008-0734877	25	4W	12
18	394496	Sila Mountain #23	2008-0734878	25	4W	12
19	394497	Sila Mountain #24	2008-0734879	25	4W	12
20	394498	Sila Mountain #25	2008-0734880	25	4W	12
21	394499	Sila Mountain #26	2008-0734881	25	4W	12
22	394500	Sila Mountain #27	2008-0734882	25	4W	12
23	394501	Sila Mountain #28	2008-0734883	25	4W	12
24	394502	Sila Mountain #29	2008-0734884	25	4W	12
25	394503	Sila Mountain #30	2008-0734885	25	4W	1
26	394504	Sila Mountain #31	2008-0734886	25	4W	1
27	394505	Sila Mountain #32	2008-0734887	25	4W	12
28	394506	Sila Mountain #33	2008-0734888	25	4W	1
29	394507	Sila Mountain #34	2008-0734889	25	4W	1

Form MCF114
 Revised June 2005

This form is available from the Arizona Department of Mines & Mineral Resources and may be reproduced.

19/50

MAINTENANCE FEE PAYMENT

Claimant Name: C. William & Marcelline J Nichols
 Address: 26134 N. 93rd Ave.
 City: Peoria State: AZ Zip: 85383
 Telephone: 623-376-8045
 E-mail address: mjcwnichols@msn.com
 Signature: Marcelline J Nichols

Check here if this is a change of address.

RECEIVED
 CLAIMS OFFICE
 PHOENIX, ARIZONA
 2010 AUG 23 P 1:41
 BLM
 Date
 Stamp

LINE NO.	AMC NUMBER	CLAIM/SITE NAME	COUNTY RECORDER DATA (If available)	TWP	RNG	SEC
1	384797	Sila Mountain #6	2007-0821533	2S	4W	12
2	384798	Sila Mountain #7	2007-0821534	2S	4W	12
3	384799	Sila Mountain #8	2007-0821535	2S	4W	12
4	384800	Sila Mountain #9	2007-0821536	2S	4W	12
5	384801	Sila Mountain #10	2007-0821537	2S	4W	12
6	384802	Sila Mountain #11	2007-0821538	2S	4W	13
7	384803	Sila Mountain #12	2007-0821539	2S	4W	13
8	384804	Sila Mountain #13	2007-0821540	2S	4W	13
9	384805	Sila Mountain #14	2007-0821541	2S	4W	13
10	384806	Sila Mountain #15	2007-0821542	2S	4W	13

List additional claims on Form MCF114.

Bureau of Land Management
 Arizona State Office

No. of Claims: 45 x \$140 = 6300.
 Check No: 20203 Init. SC
 Receipt No.: 2197530
 For BLM Use Only

Form: MCF112
 Revised July 2009

This form is available from the Arizona Department of Mines and Mineral Resources and may be reproduced.

9/50

SUPPLEMENTAL ATTACHMENT

May be used with the following forms for listing additional mining claims:

Check One.

- Affidavit of Performance of Annual Work
- Maintenance Fee Payment
- Notice of Intent to Hold Mining Claims
- Notice of Non-Liability for Labor and Materials Furnished

RECEIVED
 PIMA AZ STATE OFFICE
 2009 AUG 23 P 1:41
 PHOENIX, ARIZONA
 BLM
 Date
 Stamp

LINE NO.	AMC NUMBER	CLAIM/SITE NAME	COUNTY RECORDER DATA (If available)	TWP	RNG	SEC
30	394508	Sila Mountain #35	2008-0734890	2S	4W	1
31	394509	Sila Mountain #36	2008-0734891	2S	4W	1
32	394910	Sila Mountain #37	2008-0734892	2S	4W	1
33	394511	Sila Mountain #38	2008-0734893	2S	4W	1
34	394512	Sila Mountain #39	2008-0734894	2S	4W	13
35	394051	Sila Mountain #40	2008-0736826	2S	3W	7
36	394513	Sila Mountain #41	2008-0737568	2S	4W	1
37	396284	Sila Mountain #42	2009-0214882	2S	3W	6
38	396285	Sila Mountain #43	2009-0214883	2S	3W	6
39	397074	Sila Mountain #44	2009-0635328	2S	3W	6
40	397075	Sila Mountain #45	2009-0635329	2S	3W	6
41	397076	Sila Mountain #46	2009-0635330	2S	3W	7
42	398944	Sila Mountain #47	2009-1150818	1S	4W	25
43	398945	Sila Mountain #48	2009-1150819	1S	4W	25
44	398946	Sila Mountain #49	2009-1150820	1S	4W	25
45	398947	Sila Mountain #50	2009-1150821	1S	4W	25

Form MCF114
Revised June 2005

This form is available from the Arizona Department of Mines & Mineral Resources and may be reproduced.

16/50

MAINTENANCE FEE PAYMENT

Claimant Name: C. William + Marcelline J. Nichols
 Address: 26134 N. 93rd Ave.
 City: Peoria State: AZ Zip: 85383
 Telephone: 623-376-8045
 E-mail address: mjcwnichols@msn.com
 Signature: Marcelline Nichols

Check here if this is a change of address.

RECEIVED
 PLM AZ STATE OFFICE
 2010 AUG 23 P 1:41
 PHOENIX, ARIZONA
 BLM
 Date
 Stamp

LINE NO.	AMC NUMBER	CLAIM/SITE NAME	COUNTY RECORDER DATA (If available)	TWP	RNG	SEC
1	396392	Gila Mountain ^{code} #1	2009-0295666	25	3W	6
2						
3						
4						
5						
6						
7						
8						
9						
10						

List additional claims on Form MCF114.

Bureau of Land Management
 Arizona State Office
 www.blm.gov/02

No. of Claims: 1 x \$140 = 140
 Check No: 20203 Init. SC
 Receipt No.: 2197530
 For BLM Use Only

Form: MCF112
 Revised July 2009

This form is available from the Arizona Department of Mines and Mineral Resources and may be reproduced.

1/SC

MAINTENANCE FEE PAYMENT

Claimant Name: C. William & Marcelline J. Nichols
 Address: 26134 N. 93rd Ave.
 City: Peoria State: AZ Zip: 85383
 Telephone: 623-376-8045
 E-mail address: _____
 Signature: _____

Check here if this is a change of address.

RECEIVED
 PLM AZ STATE OFFICE
 2010 AUG 23 P 1:41
 PHOENIX, ARIZONA
 BLM
 Date
 Stamp

LINE NO.	AMC NUMBER	CLAIM/SITE NAME	COUNTY RECORDER DATA (If available)	TWP	RNG	SEC
1	384793	Estrella #1	2007-0821529	1S	2W	31
2	384794	Estrella #2	2007-0821530	1S	2W	31
3	384795	Estrella #3	2007-0821531	1S	2W	31
4	384796	Estrella #4	2007-0821532	1S	2W	31
5						
6						
7						
8						
9						
10						

ENTERED INTO COMPUTER
 SEP 02 2010
 SEP 02 2010

List additional claims on Form MCF114.

No. of Claims: 4 x \$140 = \$560.
 Check No: 20203 Init. SC
 Receipt No.: 2197530
 For BLM Use Only

Bureau of Land Management
 Arizona State Office
 1200 W. Washington
 Phoenix, AZ 85007

Form: MCF112
 Revised July 2009

This form is available from the Arizona Department of Mines and Mineral Resources and may be reproduced.

f/sc

United States Department of the Interior
Bureau of Land Management
 LANDS/RECREATION & PLANNING
 ONE N CENTRAL AVE
 PHOENIX, AZ 85004 -2203
 Phone:

Receipt

No: 2197530

Transaction #: 2267406	ENTERED INTO COMPUTER
Date of Transaction: 08/23/2010	
CUSTOMER: CWILLIAMS NICHOLS 26134 N 93RD AVE PEORIA, AZ 85383-1350 US	SEP 02 2010

LINE #	QTY	DESCRIPTION	REMARKS	UNIT PRICE	TOTAL
1	1.00	LOCATABLE MINERALS / MINING CLAIMS-NOT NEW-UNADJUD, ONE AUTH NO. ONLY / MINING CLAIM MONEY RECEIVED CASES: AMC396392/\$8540.00	MAINT (61) 2011	- n/a -	8540.00
TOTAL:					\$8,540.00

PAYMENT INFORMATION			
1	AMOUNT:	8540.00	POSTMARKED: N/A
	TYPE:	CHECK	RECEIVED: 08/23/2010
	CHECK NO:	20203	
	NAME:	NICHOLS, CWILLIAMS 26134 N 93RD AVE PEORIA AZ 85383-1350 US	

REMARKS

This receipt was generated by the automated BLM Collections and Billing System and is a paper representation of a portion of the official electronic record contained therein.

DEPARTMENT OF THE INTERIOR
BUREAU OF LAND MANAGEMENT
MINING CLAIMS

MC Customer Information - With OUT Legal Description

ACTIVE, CLOSED CLAIMS

Run Date: 09/02/2010 09:41 AM

Page 7 of ?

<u>Serial No</u>	<u>Claim Name/Number</u>	<u>County</u>	<u>Disposition</u>	<u>Int Rel</u>
AMC394507	GILA MOUNTAIN #34	MARICOPA	ACTIVE	CLAIMANT
AMC394508	GILA MOUNTAIN #35	MARICOPA	ACTIVE	CLAIMANT
AMC394509	GILA MOUNTAIN #36	MARICOPA	ACTIVE	CLAIMANT
AMC394510	GILA MOUNTAIN #37	MARICOPA	ACTIVE	CLAIMANT
AMC394511	GILA MOUNTAIN #38	MARICOPA	ACTIVE	CLAIMANT
AMC394512	GILA MOUNTAIN #39	MARICOPA	ACTIVE	CLAIMANT
AMC394513	GILA MOUNTAIN #41	MARICOPA	ACTIVE	CLAIMANT
AMC396284	GILA MOUNTAIN #42	MARICOPA	ACTIVE	CLAIMANT
AMC396285	GILA MOUNTAIN #43	MARICOPA	ACTIVE	CLAIMANT
AMC396392	GILA MOUNTAIN LODE 1	MARICOPA	ACTIVE	CLAIMANT
AMC397074	GILA MOUNTAIN #44	MARICOPA	ACTIVE	CLAIMANT
AMC397075	GILA MOUNTAIN #45	MARICOPA	ACTIVE	CLAIMANT
AMC397076	GILA MOUNTAIN #46	MARICOPA	ACTIVE	CLAIMANT
AMC398944	GILA MOUNTAIN #47	MARICOPA	ACTIVE	CLAIMANT
AMC398945	GILA MOUNTAIN #48	MARICOPA	ACTIVE	CLAIMANT
AMC398946	GILA MOUNTAIN #49	MARICOPA	ACTIVE	CLAIMANT
AMC398947	GILA MOUNTAIN #50	MARICOPA	ACTIVE	CLAIMANT
AMC398948	SUNSET #1	MARICOPA	ACTIVE	CLAIMANT
AMC398949	SUNSET #2	MARICOPA	ACTIVE	CLAIMANT
AMC398950	SUNSET #3	MARICOPA	ACTIVE	CLAIMANT
AMC398951	SUNSET #7	MARICOPA	ACTIVE	CLAIMANT
AMC398952	SUNSET #8	MARICOPA	ACTIVE	CLAIMANT
AMC398953	SUNSET #9	MARICOPA	ACTIVE	CLAIMANT
AMC398954	SUNSET #10	MARICOPA	ACTIVE	CLAIMANT
AMC398955	SUNSET #11	MARICOPA	ACTIVE	CLAIMANT
AMC398962	SUNSET #4	MARICOPA	ACTIVE	CLAIMANT
AMC398963	SUNSET #5	MARICOPA	ACTIVE	CLAIMANT
AMC398964	SUNSET #6	MARICOPA	ACTIVE	CLAIMANT

NO WARRANTY IS MADE BY BLM FOR USE OF THE DATA
FOR PURPOSES NOT INTENDED BY BLM.

AMC 398944

398962

384793

394491

394513

394051

396284

396392

MAINTENANCE FEE PAYMENT

Claimant Name: C William Nichols + Marcelline J Nichols

Address: 26134 N. 93rd Ave.

City: Peoria State: AZ Zip: 85383

Telephone: 623-376-8045

E-mail address: mjnw.nichols@msn.com

Signature: Marcelline Nichols

Check here if this is a change of address.

RECEIVED
BLM AZ STATE OFFICE
2009 AUG 23 P 1:41
PHOENIX, ARIZONA
BLM
Date
Stamp

LINE NO.	AMC NUMBER	CLAIM/SITE NAME	COUNTY RECORDER DATA (If available)	TWP	RNG	SEC
1	398948	Sunset #1	2009-1150822	15	4W	25
2	398949	Sunset #2	2009-1150823	15	4W	25
3	398950	Sunset #3	2009-1150824	15	4W	25
4	398962	Sunset #4	2009-1150825	15	4W	25
5	398963	Sunset #5	2009-1150826	15	4W	25
6	398964	Sunset #6	2009-1150827	15	4W	25
7	398951	Sunset #7	2009-1150828	25	4W	1
8	398952	Sunset #8	2009-1150829	25	4W	1
9	398953	Sunset #9	2009-1150830	25	4W	1
10	398954	Sunset #10	2009-1150831	25	4W	1

List additional claims on Form MCF114.

Bureau of Land Management
Arizona State Office
www.blm.gov/az

No. of Claims: 11 x \$140 = 1540.
 Check No: 20203 Init. SC
 Receipt No.: 2197530
 For BLM Use Only

Form: MCF112
Revised July 2009

This form is available from the Arizona Department of Mines and Mineral Resources and may be reproduced.

10/50

SUPPLEMENTAL ATTACHMENT

May be used with the following forms for listing additional mining claims:

Check One.

- Affidavit of Performance of Annual Work
- Maintenance Fee Payment
- Notice of Intent to Hold Mining Claims
- Notice of Non-Liability for Labor and Materials Furnished

RECEIVED
BLM AZ STATE OFFICE
2010 AUG 23 P 1:14 PM
PHOENIX, ARIZONA

BLM
Date
Stamp

LINE NO.	AMC NUMBER	CLAIM/SITE NAME	COUNTY RECORDER DATA (if available)	TWP	RNG	SEC
11	398955	Sunset # 11	2009-1150832	25	4W	1

Form MCF114
Revised June 2005

This form is available from the Arizona Department of Mines & Mineral Resources and may be reproduced.

1/50

407C 398944
 398962
 384793
 394491
 394513
 394051
 396284
 396392

MAINTENANCE FEE PAYMENT

Claimant Name: C William Nichols + Marcelline J Nichols
 Address: 26134 N. 93rd Ave.
 City: Peoria State: Az Zip: 85383
 Telephone: 623-376-8045
 E-mail address: mjw.nichols@msn.com
 Signature: [Handwritten Signature]

RECEIVED
 PLMAZ STATE OFFICE
 200 AUG 23 P 1:41
 PHOENIX, ARIZONA
 BLM
 Date
 Stamp

Check here if this is a change of address.

LINE NO.	AMC NUMBER	CLAIM/SITE NAME	COUNTY RECORDER DATA (If available)	TWP	RNG	SEC
1	398948	Sunset #1	2009-1150822	15	4W	25
2	398949	Sunset #2	2009-1150823	15	4W	25
3	398950	Sunset #3	2009-1150824	15	4W	25
4	398962	Sunset #4	2009-1150825	15	4W	25
5	398963	Sunset #5	2009-1150826	15	4W	25
6	398964	Sunset #6	2009-1150827	15	4W	25
7	398951	Sunset #7	2009-1150828	25	4W	1
8	398952	Sunset #8	2009-1150829	25	4W	1
9	398953	Sunset #9	2009-1150830	25	4W	1
10	398954	Sunset #10	2009-1150831	25	4W	1

List additional claims on Form MCF114.

Bureau of Land Management
 Arizona State Office

No. of Claims: 11 x \$140 = 1540.
 Check No: 20203 Init. SC
 Receipt No.: 2197530
 For BLM Use Only

Form: MCF112
 Revised July 2009

This form is available from the Arizona Department of Mines and Mineral Resources and may be reproduced.

0/5c

SUPPLEMENTAL ATTACHMENT

May be used with the following forms for listing additional mining claims:

Check One.

- Affidavit of Performance of Annual Work
- Maintenance Fee Payment
- Notice of Intent to Hold Mining Claims
- Notice of Non-Liability for Labor and Materials Furnished

RECEIVED
CLM/AT/STATE/REG-FIELD

PHOENIX, ARIZONA

2010 AUG 23 P 1:41

BLM
Date
Stamp

LINE NO.	AMC NUMBER	CLAIM/SITE NAME	COUNTY RECORDER DATA (If available)	TWP	RNG	SEC
11	384807	Sila Mountain #16	2007-0821543	2S	4W	13
12	384808	Sila Mountain #17	2007-0821544	2S	4W	13
13	394491	Sila Mountain #18	2008-0734873	2S	4W	1
14	394492	Sila Mountain #19	2008-0734874	2S	4W	12
15	394493	Sila Mountain #20	2008-0734875	2S	4W	12
16	394494	Sila Mountain #21	2008-0734876	2S	4W	12
17	394495	Sila Mountain #22	2008-0734877	2S	4W	12
18	394496	Sila Mountain #23	2008-0734878	2S	4W	12
19	394497	Sila Mountain #24	2008-0734879	2S	4W	12
20	394498	Sila Mountain #25	2008-0734880	2S	4W	12
21	394499	Sila Mountain #26	2008-0734881	2S	4W	12
22	394500	Sila Mountain #27	2008-0734882	2S	4W	12
23	394501	Sila Mountain #28	2008-0734883	2S	4W	12
24	394502	Sila Mountain #29	2008-0734884	2S	4W	12
25	394503	Sila Mountain #30	2008-0734885	2S	4W	1
26	394504	Sila Mountain #31	2008-0734886	2S	4W	1
27	394505	Sila Mountain #32	2008-0734887	2S	4W	12
28	394506	Sila Mountain #33	2008-0734888	2S	4W	1
29	394507	Sila Mountain #34	2008-0734889	2S	4W	1

Form MCF114
Revised June 2005

This form is available from the Arizona Department of Mines & Mineral Resources and may be reproduced.

19/50

MAINTENANCE FEE PAYMENT

Claimant Name: C. William & Marcelline J Nichols
 Address: 26134 N. 93rd Ave.
 City: Peoria State: AZ Zip: 85383
 Telephone: 623-376-8045
 E-mail address: mjcwnichols@msn.com
 Signature: Marcelline J Nichols

Check here if this is a change of address.

RECEIVED
 CLAIMS OFFICE
 PHOENIX, ARIZONA
 2009 AUG 23 P 1:41
 BLM
 Date
 Stamp

LINE NO.	AMC NUMBER	CLAIM/SITE NAME	COUNTY RECORDER DATA (If available)	TWP	RNG	SEC
1	384797	Sila Mountain #6	2007-0821533	2S	4W	12
2	384798	Sila Mountain #7	2007-0821534	2S	4W	12
3	384799	Sila Mountain #8	2007-0821535	2S	4W	12
4	384800	Sila Mountain #9	2007-0821536	2S	4W	12
5	384801	Sila Mountain #10	2007-0821537	2S	4W	12
6	384802	Sila Mountain #11	2007-0821538	2S	4W	13
7	384803	Sila Mountain #12	2007-0821539	2S	4W	13
8	384804	Sila Mountain #13	2007-0821540	2S	4W	13
9	384805	Sila Mountain #14	2007-0821541	2S	4W	13
10	384806	Sila Mountain #15	2007-0821542	2S	4W	13

List additional claims on Form MCF114.

Bureau of Land Management
 Arizona State Office

No. of Claims: 45 x \$140 = 6300.
 Check No: 20203 Init. SC
 Receipt No.: 2197530
 For BLM Use Only

Form: MCF112
 Revised July 2009

This form is available from the Arizona Department of Mines and Mineral Resources and may be reproduced.

10/50

SUPPLEMENTAL ATTACHMENT

May be used with the following forms for listing additional mining claims:

Check One.

- Affidavit of Performance of Annual Work
- Maintenance Fee Payment
- Notice of Intent to Hold Mining Claims
- Notice of Non-Liability for Labor and Materials Furnished

RECEIVED
 PHOENIX, ARIZONA
 2009 AUG 23 P 1:41
 MINERAL STATE OFFICE
 BLM
 Date
 Stamp

LINE NO.	AMC NUMBER	CLAIM/SITE NAME	COUNTY RECORDER DATA (if available)	TWP	RNG	SEC
30	394508	Sila Mountain #35	2008-0734890	2S	4W	1
31	394509	Sila Mountain #36	2008-0734891	2S	4W	1
32	394910	Sila Mountain #37	2008-0734892	2S	4W	1
33	394511	Sila Mountain #38	2008-0734893	2S	4W	1
34	394512	Sila Mountain #39	2008-0734894	2S	4W	13
35	394051	Sila Mountain #40	2008-0736826	2S	3W	7
36	394513	Sila Mountain #41	2008-0737568	2S	4W	1
37	396284	Sila Mountain #42	2009-0214882	2S	3W	6
38	396285	Sila Mountain #43	2009-0214883	2S	3W	6
39	397074	Sila Mountain #44	2009-0635328	2S	3W	6
40	397075	Sila Mountain #45	2009-0635329	2S	3W	6
41	397076	Sila Mountain #46	2009-0635330	2S	3W	7
42	398944	Sila Mountain #47	2009-1150818	1S	4W	25
43	398945	Sila Mountain #48	2009-1150819	1S	4W	25
44	398946	Sila Mountain #49	2009-1150820	1S	4W	25
45	398947	Sila Mountain #50	2009-1150821	1S	4W	25

Form MCF114
Revised June 2005

This form is available from the Arizona Department of Mines & Mineral Resources and may be reproduced.

16/50

MAINTENANCE FEE PAYMENT

Claimant Name: C. William & Marcelline J. Nichols

Address: 26134 N. 93rd Ave.

City: Peoria State: AZ Zip: 85383

Telephone: 623-376-8045

E-mail address: mjcwnichols@msn.com

Signature: Marcelline J. Nichols

Check here if this is a change of address.

RECEIVED
 PLM AZ STATE OFFICE
 2010 AUG 23 P 1:41
 PHOENIX, ARIZONA
 BLM
 Date
 Stamp

LINE NO.	AMC NUMBER	CLAIM/SITE NAME	COUNTY RECORDER DATA (If available)	TWP	RNG	SEC
1	396392	Mila Mountain ^{code} #1	2009-0295666	25	3W	6
2						
3						
4						
5						
6						
7						
8						
9						
10						

List additional claims on Form MCF114.

Bureau of Land Management
 Arizona State Office

www.blm.gov/az/

No. of Claims: 1 x \$140 = 140
 Check No: 20203 Init. SC
 Receipt No.: 2197530
 For BLM Use Only

Form: MCF112
 Revised July 2009

This form is available from the Arizona Department of Mines and Mineral Resources and may be reproduced.

1/50

MAINTENANCE FEE PAYMENT

Claimant Name: C William & Marcelline J. Nichols
 Address: 26134 N. 93rd Ave.
 City: Peoria State: AZ Zip: 85383
 Telephone: 623-376-8045
 E-mail address: _____
 Signature: _____

RECEIVED
 PLM AZ STATE OFFICE
 2010 AUG 23 P 1:41
 PHOENIX, ARIZONA
 BLM
 Date
 Stamp

Check here if this is a change of address.

LINE NO.	AMC NUMBER	CLAIM/SITE NAME	COUNTY RECORDER DATA (If available)	TWP	RNG	SEC
1	384793	Estrella #1	2007-0821529	15	2W	31
2	384794	Estrella #2	2007-0821530	15	2W	31
3	384795	Estrella #3	2007-0821531	15	2W	31
4	384796	Estrella #4	2007-0821532	15	2W	31
5						
6						
7						
8						
9						
10						

ENTERED INTO COMPUTER
 SEP 02 2010
 SEP 02 2010

List additional claims on Form MCF114.

Bureau of Land Management
 Arizona State Office

No. of Claims: 4 x \$140 = 560.
 Check No: 20203 Init. SC
 Receipt No.: 2197530
 For BLM Use Only

Form: MCF112
 Revised July 2009

This form is available from the Arizona Department of Mines and Mineral Resources and may be reproduced.

150

United States Department of the Interior
 Bureau of Land Management
 LANDS/RECREATION & PLANNING
 ONE N CENTRAL AVE
 PHOENIX, AZ 85004 -2203
 Phone:

Receipt

No: 2197530

Transaction #: 2267406		ENTERED INTO COMPUTER
Date of Transaction: 08/23/2010		
CUSTOMER:	CWILLIAMS NICHOLS 26134 N 93RD AVE PEORIA, AZ 85383-1350 US	SEP 02 2010

LINE #	QTY	DESCRIPTION	REMARKS	UNIT PRICE	TOTAL
1	1.00	LOCATABLE MINERALS / MINING CLAIMS-NOT NEW-UNADJUD, ONE AUTH NO. ONLY / MINING CLAIM MONEY RECEIVED CASES: AMC396392/\$8540.00	MAINT (61) 2011	- n/a -	8540.00
TOTAL:					\$8,540.00

PAYMENT INFORMATION					
1	AMOUNT:	8540.00	POSTMARKED:	N/A	
	TYPE:	CHECK	RECEIVED:	08/23/2010	
	CHECK NO:	20203			
	NAME:	NICHOLS, CWILLIAMS 26134 N 93RD AVE PEORIA AZ 85383-1350 US			

REMARKS

This receipt was generated by the automated BLM Collections and Billing System and is a paper representation of a portion of the official electronic record contained therein.

DEPARTMENT OF THE INTERIOR
BUREAU OF LAND MANAGEMENT
MINING CLAIMS
MC Customer Information - With OUT Legal Description
ACTIVE, CLOSED CLAIMS

Run Date: 09/02/2010 09:41 AM

Page 7 of ?

<u>Serial No</u>	<u>Claim Name/Number</u>	<u>County</u>	<u>Disposition</u>	<u>Int. Rel</u>
AMC394507	GILA MOUNTAIN #34	MARICOPA	ACTIVE	CLAIMANT
AMC394508	GILA MOUNTAIN #35	MARICOPA	ACTIVE	CLAIMANT
AMC394509	GILA MOUNTAIN #36	MARICOPA	ACTIVE	CLAIMANT
AMC394510	GILA MOUNTAIN #37	MARICOPA	ACTIVE	CLAIMANT
AMC394511	GILA MOUNTAIN #38	MARICOPA	ACTIVE	CLAIMANT
AMC394512	GILA MOUNTAIN #39	MARICOPA	ACTIVE	CLAIMANT
AMC394513	GILA MOUNTAIN #41	MARICOPA	ACTIVE	CLAIMANT
AMC396284	GILA MOUNTAIN #42	MARICOPA	ACTIVE	CLAIMANT
AMC396285	GILA MOUNTAIN #43	MARICOPA	ACTIVE	CLAIMANT
AMC396392	GILA MOUNTAIN LODGE 1	MARICOPA	ACTIVE	CLAIMANT
AMC397074	GILA MOUNTAIN #44	MARICOPA	ACTIVE	CLAIMANT
AMC397075	GILA MOUNTAIN #45	MARICOPA	ACTIVE	CLAIMANT
AMC397076	GILA MOUNTAIN #46	MARICOPA	ACTIVE	CLAIMANT
AMC398944	GILA MOUNTAIN #47	MARICOPA	ACTIVE	CLAIMANT
AMC398945	GILA MOUNTAIN #48	MARICOPA	ACTIVE	CLAIMANT
AMC398946	GILA MOUNTAIN #49	MARICOPA	ACTIVE	CLAIMANT
AMC398947	GILA MOUNTAIN #50	MARICOPA	ACTIVE	CLAIMANT
AMC398948	SUNSET #1	MARICOPA	ACTIVE	CLAIMANT
AMC398949	SUNSET #2	MARICOPA	ACTIVE	CLAIMANT
AMC398950	SUNSET #3	MARICOPA	ACTIVE	CLAIMANT
AMC398951	SUNSET #7	MARICOPA	ACTIVE	CLAIMANT
AMC398952	SUNSET #8	MARICOPA	ACTIVE	CLAIMANT
AMC398953	SUNSET #9	MARICOPA	ACTIVE	CLAIMANT
AMC398954	SUNSET #10	MARICOPA	ACTIVE	CLAIMANT
AMC398955	SUNSET #11	MARICOPA	ACTIVE	CLAIMANT
AMC398962	SUNSET #4	MARICOPA	ACTIVE	CLAIMANT
AMC398963	SUNSET #5	MARICOPA	ACTIVE	CLAIMANT
AMC398964	SUNSET #6	MARICOPA	ACTIVE	CLAIMANT

NO WARRANTY IS MADE BY BLM FOR USE OF THE DATA
FOR PURPOSES NOT INTENDED BY BLM.

NOTICE!!

These documents have been scanned!

Do not place un-scanned documents beneath this notice!

Do not remove this notice from this file!

GPO Jacket No. 560-102
Print Order 61540
Rise Business Services, LLC
Job=AZ15 5/20/2019



Box Number= AZ15069



Claim Begin-End: AMC398962-AMC398964

5 Miscellaneous



AZ15069-16

AMC397971-AMC398973

**NO
DOCUMENTS
FOUND**

NO DOCUMENTS FOUND
NO DOCUMENTS FOUND

NOTICE!!

These documents have been scanned!

Do not place un-scanned documents beneath this notice!

Do not remove this notice from this file!

GPO Jacket No. 560-102
Print Order 61540
Rise Business Services, LLC
Job=AZ15 5/20/2019



Box Number= AZ15069



Claim Begin-End: AMC398962-AMC398964

6 Location Notices-Amendments and Supporting Documents



AZ15069-16 AMC397971-AMC398973

Mining Claim Status Report

DATA ENTERED _____

MTP Checked by SC
GEO Checked by SC

LEAD SERIAL NUMBER AMC 398962 thru AMC 398964

OF CLAIMS & TYPE

3 LODE
_____ PLACER
_____ ASSOCIATION PLACER
_____ MILL SITE
_____ TUNNEL SITE

CHARGES

Location Fee @ \$34 = \$ 102.
Processing Fee @ \$15 = \$ 45.
Maintenance Fee @ \$140 = \$ 420
Overage (+) \$ _____
Shortage (-) \$ _____
Other Fees \$ _____
TOTAL \$ 567.

ARE THERE ENOUGH LOCATORS?

Yes () No () _____

DOCUMENTS RECEIVED VIA -

Over-the-Counter () Mail () _____

TIMELY FILED?

Yes () No () _____

LEGAL DESCRIPTION - T 01S R 04W SEC 025
T _____ R _____ SEC _____
T _____ R _____ SEC _____
T _____ R _____ SEC _____

BLM () FOREST SERVICE () _____ SUBJ TO PL 359: Yes () No ()

WILDERNESS AREA: No () Yes () _____

SPLIT ESTATE - N/A () SX () PX () SRHA () OTHER () _____

Proper Notice Filed if Located on SHRA Lands? N/A () Yes () No ()

RECONVEYED MINERALS ON BLM LANDS REQUIRE OPENING ORDERS FROM 1944 TO 1993 -

Open to Entry on: _____ N/A ()

COMMENTS/STATUS - VOID () PARTIALLY VOID () PVT MINERALS () WITHDRAWN LANDS ()

OTHER () _____

Claimant acknowledges that portions of the following claims(s) site(s) may be void or voidable.

Printed Name of Claimant _____ Signature of Claimant _____

***** FINAL ADJUDICATION *****

DATE 7/7/10 INITIALS AT

110308021

ANC 398958
ANC 398961

LOCATION NOTICE FOR LODE MINING CLAIM

NOTICE IS HEREBY GIVEN that the Sunset #4
_____ lode mining claim has been located

by C. WILLIAM NICHOLS whose current mailing
address is 26134 N. 93 AV
PEORIA AZ 85383

BLM
Date
Stamp
2009 DEC 16 A 11:41
BLM PEORIA AZ

The general course of this claim is N-S and it is situated in Maricopa
County, Arizona. This claim is 1040 feet in length and 600 feet in width. This claim runs
from the location monument on which this location notice is posted approximately 600 feet in a
W direction to the W end line and 1040 feet in a S direction to the
S end line. This claim is marked by six monuments, one at each corner and one at the center of each
end line of the claim.

The location monument on which this notice is posted is situated within Section 25, Township 1
S, Range 4 W, Gila Salt River Base and Meridian, Arizona and this claim encompasses portions
of the following quarter section (s), section (s), Township (s) and Range (s) SW4 Sec 25 T1S R4W
Shene Cr. is app 1530' wsw (257°) from the E 1/4 corner, 1200'
west and 1500' S.
Gila Salt River Base and Meridian, Arizona.

The locality of this claim with reference to some natural object or permanent monument and additional information
(if any) concerning its locality are as follows: 1/2 mi East of State Hwy 85
+ app 1 mi S. of the Gila River

DATED AND POSTED on the ground this 17 day of October, 2009

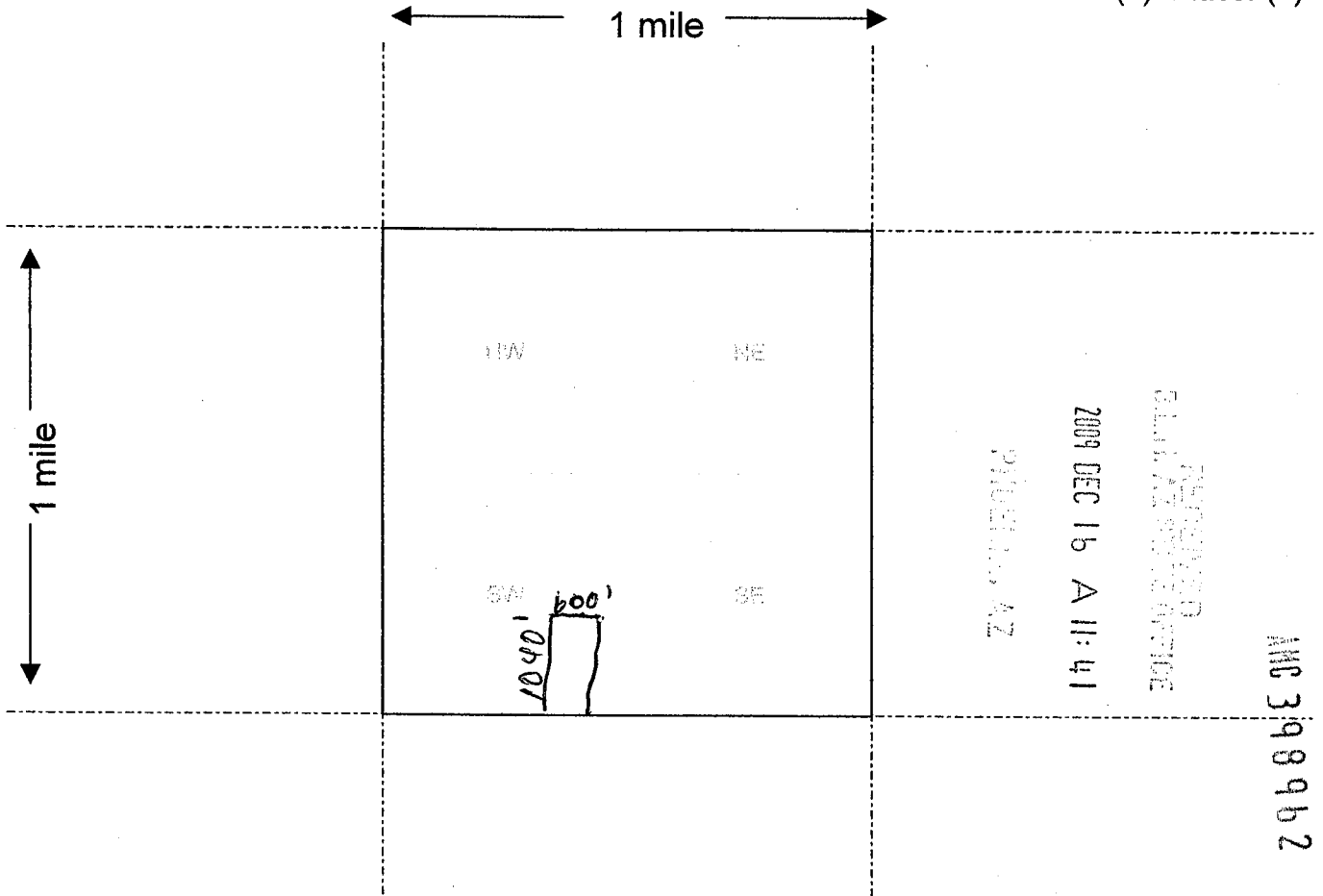
LOCATOR (s) C. Wm Nichols, Marianne Nichols

AMC 398962

Form MCF102
Revised July 2005

MINING CLAIM MAP

Lode () Placer ()



Scale: 1" = 2000 feet



1. The above map depicts the Sunset #4 mining claim, which is located in Section (s) 25, Township 1 S, Range 4 W, Gila and Salt River Base and Meridian, Mariopsa County, Arizona.

2. The type of corner and location monuments used are as follows: 4" PVC pipe

3. The bearings and distances in degrees and feet between claim corners are as depicted on the map.

Form MCF100a
Revised July 2005

LOCATION NOTICE FOR LODE MINING CLAIM

NOTICE IS HEREBY GIVEN that the Sunset #5 lode mining claim has been located

by C. William Nichols whose current mailing address is 26134 N-93 AVE
PEORIA AZ 85383

BLM
Date
Stamp
2009 DEC 16 A 11:41
PHOENIX, AZ

The general course of this claim is N-S and it is situated in Maricopa County, Arizona. This claim is 1040 feet in length and 600 feet in width. This claim runs from the location monument on which this location notice is posted approximately 600 feet in a W direction to the W end line and 1040 feet in a S direction to the S end line. This claim is marked by six monuments, one at each corner and one at the center of each end line of the claim.

The location monument on which this notice is posted is situated within Section 25, Township 1 S, Range 4 W, Gila Salt River Base and Meridian, Arizona and this claim encompasses portions

of the following quarter section (s), section (s), Township (s) and Range (s) SE 1/4 Sec 25 T1S R4W
The NE cor is app 1530' WSW (2570) of the E 1/4 cor, then 600' W and 1500' S.
Gila Salt River Base and Meridian, Arizona.

The locality of this claim with reference to some natural object or permanent monument and additional information (if any) concerning its locality are as follows: 1/2 mi East of State Hwy 85
+ 1 mi S of the Gila River -

DATED AND POSTED on the ground this 17 day of Oct, 2009.

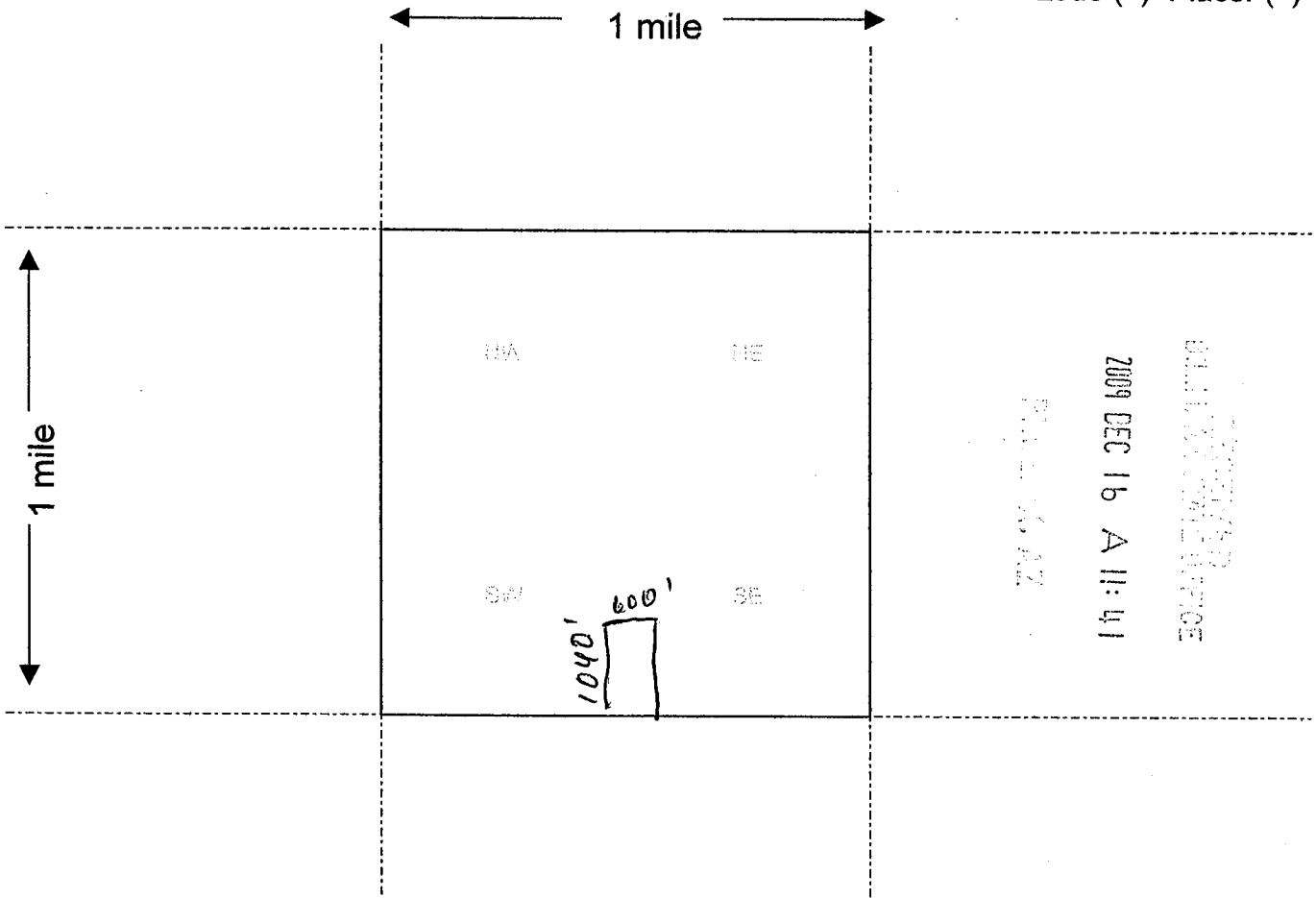
LOCATOR (s) C. William Nichols, Marianne Nichols

Form MCF102
Revised July 2005

AMC 398963

MINING CLAIM MAP

Lode () Placer ()



Scale: 1" = 2000 feet



1. The above map depicts the Sunset # 5 mining claim, which is located in Section (s) 25, Township 1 S, Range 4 W, Gila and Salt River Base and Meridian, Maricopa County, Arizona.

2. The type of corner and location monuments used are as follows: 4" PVC Pipe

3. The bearings and distances in degrees and feet between claim corners are as depicted on the map.

Form MCF100a
Revised July 2005

AMC 398963

LOCATION NOTICE FOR LODE MINING CLAIM

NOTICE IS HEREBY GIVEN that the Sunset #6
_____ lode mining claim has been located

by C. William Nichols whose current mailing
address is 26134 N. 930 Ave
Peoria AZ 85383

BLM Date Stamp	2005 DEC 16 A 11:41
----------------------	---------------------------

The general course of this claim is N/S and it is situated in Maricopa
County, Arizona. This claim is 1040 feet in length and 600 feet in width. This claim runs
from the location monument on which this location notice is posted approximately 600 feet in a
W direction to the W end line and 1040 feet in a S direction to the
S end line. This claim is marked by six monuments, one at each corner and one at the center of each
end line of the claim.

The location monument on which this notice is posted is situated within Section 25, Township 1
S, Range 4 W, Gila Salt River Base and Meridian, Arizona and this claim encompasses portions
of the following quarter section (s), section (s), Township (s) and Range (s) Sec 25 T1S R4W
there is approx 1530' WSW (257°) from the E 1/4 CN, & 1500' S of
Gila Salt River Base and Meridian, Arizona.

The locality of this claim with reference to some natural object or permanent monument and additional information
(if any) concerning its locality are as follows: approx 1/2 mi East of State Hwy 85
+ 1/2 mi S of the Gila river

DATED AND POSTED on the ground this 17 day of October, 2005

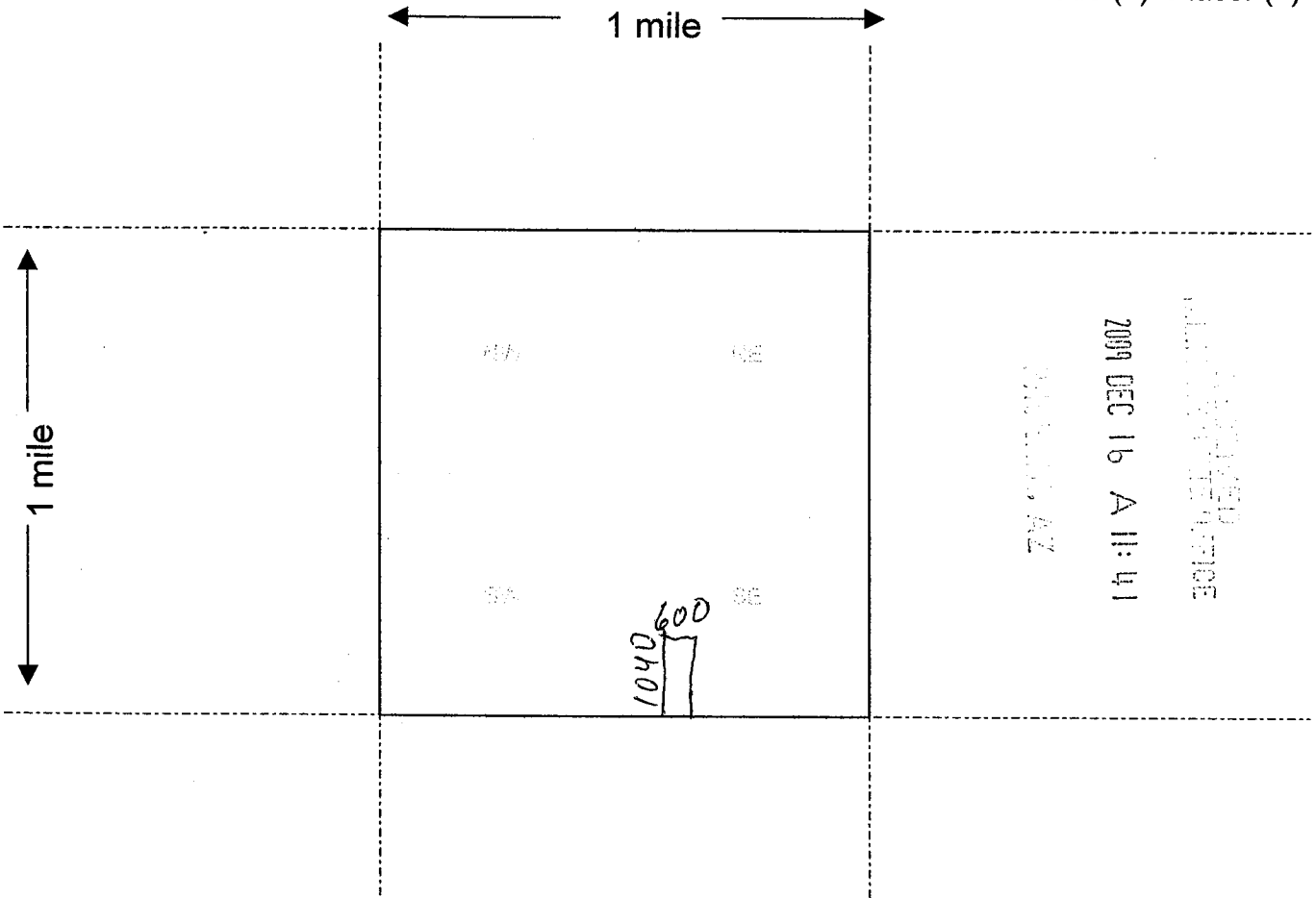
LOCATOR (s) C. William Nichols, Marianne Nichols

Form MCF102
Revised July 2005

AMC 398964

MINING CLAIM MAP

Lode () Placer ()



2009 DEC 16 A 11:41
 GILBERT, AZ

Scale: 1" = 2000 feet



1. The above map depicts the Sunset #6 mining claim, which is located in Section (s) 25, Township 1 S, Range 4 W, Gila and Salt River Base and Meridian, Maricopa County, Arizona.

2. The type of corner and location monuments used are as follows: 4" PVC Pipe 1

3. The bearings and distances in degrees and feet between claim corners are as depicted on the map.

Form MCF100a
 Revised July 2005

AMC-398964

Input Parameters for Geographic Report with Land

System Id = CR

Admin State = AZ

Geo State =

Casetype Begins With

Case Disp Txt = AUTHORIZED, CANCELLED, EXPIRED, PENDING, REJECTED, RELINQUISHED, VOID, WITHDRAWN

Mer Twp Rng = 14 0010S 0040W

Section = 025, 999

Mtrs =

Commodity =

Commodity Txt =

Pending Org =

Pend Org Decode =

Total Rows Returned: 10

RUN TIME: 11:28 AM

UNITED STATES DEPARTMENT OF INTERIOR
BUREAU OF LAND MANAGEMENT
GEOGRAPHIC REPORT WITH LAND
Sorted by Meridian Township Range

RUN DATE: 12/16/2009
Page 1 of 2

Adm State: AZ

Serial Number: AZA 011068

Total Case Acres: 6.940

<u>Casetype</u>	<u>Case Disp</u>	14	0010S	0040W	<u>Sect</u>	<u>Sur Typ</u>	<u>Sur Num</u>	<u>Suff</u>	<u>Subdivision</u>	<u>Act Pend</u>
286203	AUTHORIZED				025	MNR			W2SWNW,NWNWSW;	

Serial Number: AZA 030140

Total Case Acres: 3.500

<u>Casetype</u>	<u>Case Disp</u>	14	0010S	0040W	<u>Sect</u>	<u>Sur Typ</u>	<u>Sur Num</u>	<u>Suff</u>	<u>Subdivision</u>	<u>Act Pend</u>
286203	AUTHORIZED				025	ALIQ			W2SWNW;	

Serial Number: AZA 030603

Total Case Acres: 622.350

<u>Casetype</u>	<u>Case Disp</u>	14	0010S	0040W	<u>Sect</u>	<u>Sur Typ</u>	<u>Sur Num</u>	<u>Suff</u>	<u>Subdivision</u>	<u>Act Pend</u>
360412	AUTHORIZED				025	FF		1	E2;	

Serial Number: AZA 031597

Total Case Acres: 4.500

<u>Casetype</u>	<u>Case Disp</u>	14	0010S	0040W	<u>Sect</u>	<u>Sur Typ</u>	<u>Sur Num</u>	<u>Suff</u>	<u>Subdivision</u>	<u>Act Pend</u>
361113	EXPIRED				025	FF		1	PART OF E2NE;	

Serial Number: AZA 032351

Total Case Acres: 4.500

<u>Casetype</u>	<u>Case Disp</u>	14	0010S	0040W	<u>Sect</u>	<u>Sur Typ</u>	<u>Sur Num</u>	<u>Suff</u>	<u>Subdivision</u>	<u>Act Pend</u>
361113	EXPIRED				025	FF			NE (WASH);	

RUN TIME: 11:28 AM

UNITED STATES DEPARTMENT OF INTERIOR
BUREAU OF LAND MANAGEMENT
GEOGRAPHIC REPORT WITH LAND
Sorted by Meridian Township Range

RUN DATE: 12/16/2009

Page 2 of 2

Adm State: AZ

Serial Number: AZA 032782

Total Case Acres: 227.290

<u>Casetype</u>	<u>Case Disp</u>	14	0010S	0040W	<u>Sect</u>	<u>Sur Typ</u>	<u>Sur Num</u>	<u>Suff</u>	<u>Subdivision</u>	<u>Act Pend</u>
282103	AUTHORIZED				025	ALIQ			S2NW,W2SW;	

Serial Number: AZA 033068

Total Case Acres: 4.500

<u>Casetype</u>	<u>Case Disp</u>	14	0010S	0040W	<u>Sect</u>	<u>Sur Typ</u>	<u>Sur Num</u>	<u>Suff</u>	<u>Subdivision</u>	<u>Act Pend</u>
361113	REJECTED				025	FF			NE(WASH);	

Serial Number: AZAR 0005377

Total Case Acres: 193.000

<u>Casetype</u>	<u>Case Disp</u>	14	0010S	0040W	<u>Sect</u>	<u>Sur Typ</u>	<u>Sur Num</u>	<u>Suff</u>	<u>Subdivision</u>	<u>Act Pend</u>
282105	AUTHORIZED				025	ALIQ			W2SW,SWNW;	

Serial Number: AZAR 0032095

Total Case Acres: 5.378

<u>Casetype</u>	<u>Case Disp</u>	14	0010S	0040W	<u>Sect</u>	<u>Sur Typ</u>	<u>Sur Num</u>	<u>Suff</u>	<u>Subdivision</u>	<u>Act Pend</u>
286202	AUTHORIZED				025	ALIQ			SWNW,NWSW;	

Serial Number: AZPHX 0036229

Total Case Acres: 8.750

<u>Casetype</u>	<u>Case Disp</u>	14	0010S	0040W	<u>Sect</u>	<u>Sur Typ</u>	<u>Sur Num</u>	<u>Suff</u>	<u>Subdivision</u>	<u>Act Pend</u>
287100	AUTHORIZED				025	ALIQ			N2N2;	

Input Parameters for Geographic Report with Land

System Id = CR

Admin State = AZ

Geo State =

Casetype Begins With

Case Disp Txt = AUTHORIZED, CANCELLED, EXPIRED, PENDING, REJECTED, RELINQUISHED, VOID, WITHDRAWN

Mer Twp Rng = 14 0010S 0040W

Section = 025, 999

Mtrs =

Commodity =

Commodity Txt =

Pending Org =

Pend Org Decode =

Total Rows Returned: 10

